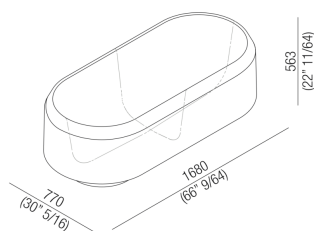




Bathtubs Free-standing Lariana
AVAS1080_

Patricia Urquiola, 2015

Bathtub



Finishes



White



White/dark grey



White/light grey

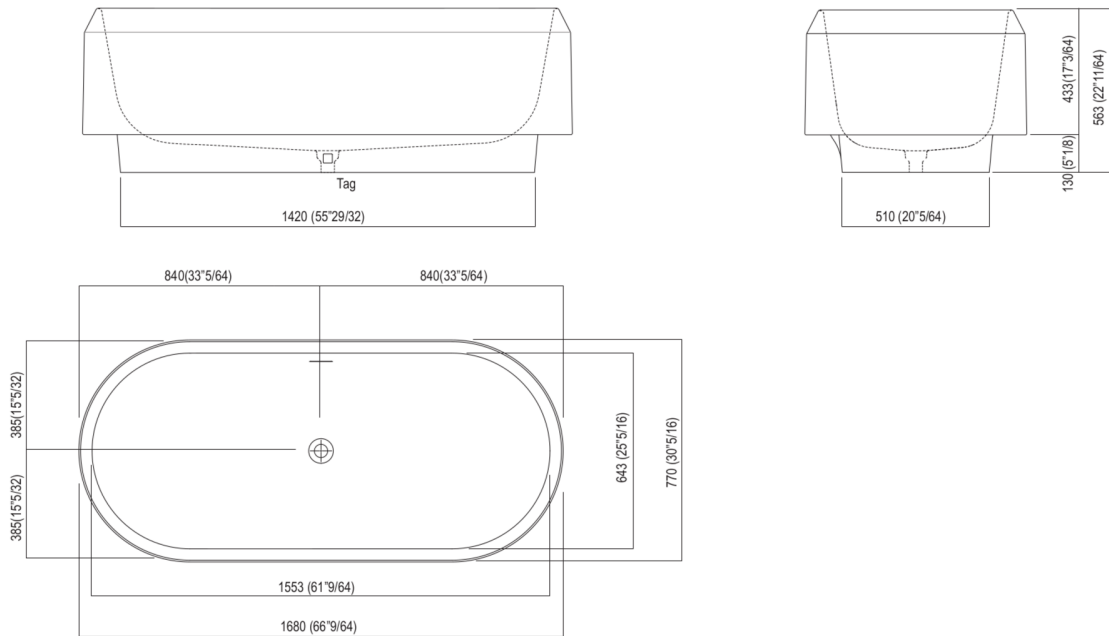
Bathtub in white Cristalplant® or two colour (exterior in dark grey RAL7021 or light grey RAL 7044); with overflow hole, without tap holes; taps can be wall or floor mounted. It is fitted with a waste with cap in white Cristalplant® .MET0725C (also suitable for bathtubs in display). The two-coloured model can be made in colours chosen by the client with a surcharge of 15% on the price of the two-coloured finish. For an easier installation of the bathtubs we recommend to use the template for the positioning of the waste trap AKITPZVAS.

Materials used: Cristalplant®.

Height:	56.3 cm	22"11/64 inches
Depth:	77.0 cm	30"5/16 inches
Lenght:	168.0 cm	66"9/64 inches
Capacity:	320.0 l	85 gal
Weight:	110.0 kg	243 lbs
Packaging measurements:	100 x 200 x 82 cm	39"3/8 x 78"3/4 x 32"1/4 inches
Weight with packaging:	150.0 kg	331 lbs

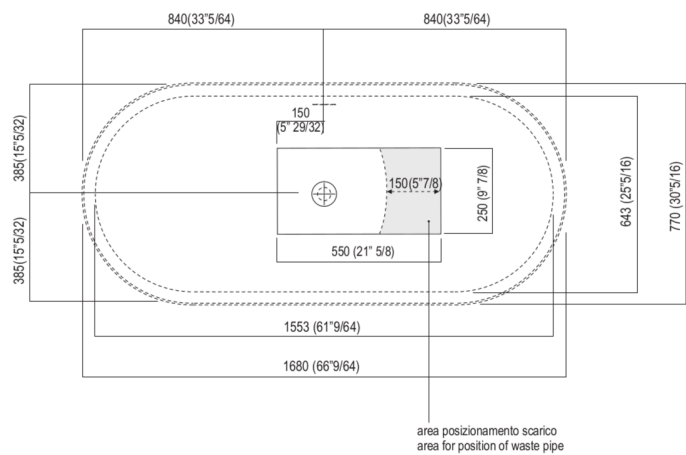


Dimensioni principali



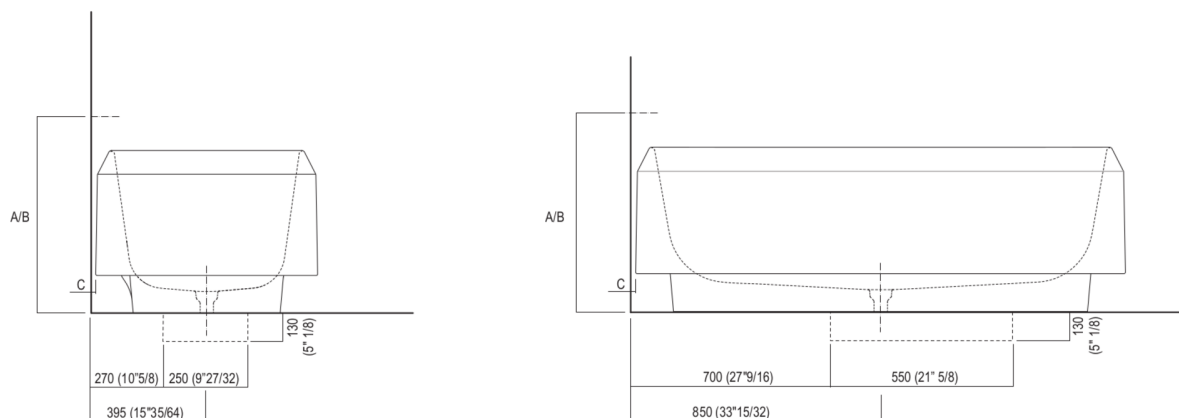


Dimensions for recess





Dimension for wall mounted taps

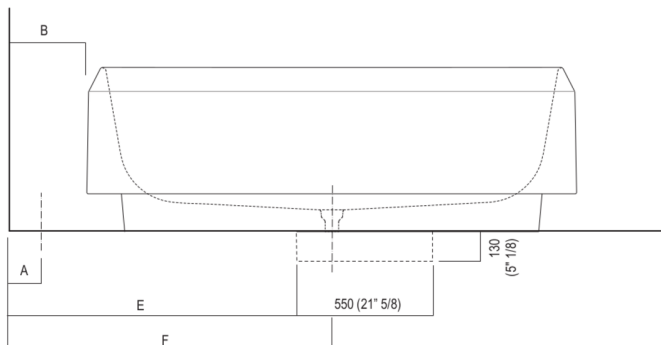
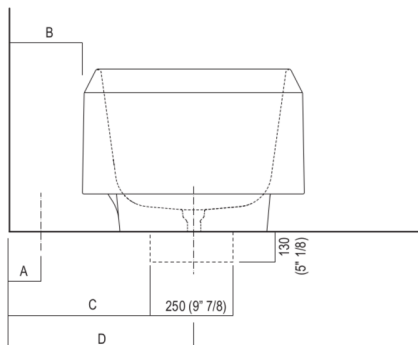


	A*	B**	C
FEZ (ARUB050000L, ARUB051000L, ARUB150000C, ARUB151000C, ARUB1089S, ARUB190000C, ARUB191000C, ARUB1091S)	713 (28*5/64)	-	10 (25/64")
MEMORY (ARUB1076S, ARUB1077S, ARUB1040S)	713 (28*5/64)	-	10 (25/64")
SQUARE (ARUB0932N, ARUB0933N, ARUB1117)	-	713 (28*5/64)	10 (25/64")
SQUARE (ARUB1118)	-	713 (28*5/64)	110 (4*21/64)
SEN (ASEN0912V)	-	713 (28*5/64)	10 (25/64")

* inserasse gruppo / axial distance for tap
 ** filo inferiore gruppo / Tap's lower edge



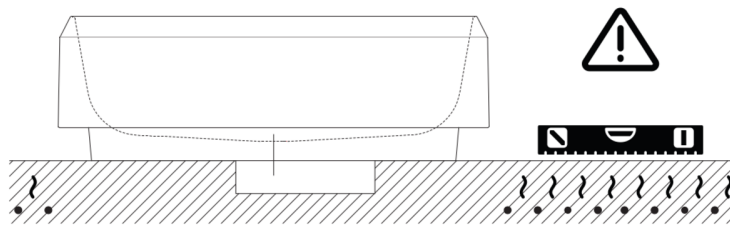
Dimensions for freestanding spouts



	A	B	C	D	E	F
FEZ (ARUB140, ARUB145, ARUB170N)	80 (3"1/8)	165 (6"1/2)	425 (16"47/64)	550 (21"21/32)	855 (33"21/32)	1005 (39"9/16)
MEMORY (ARUB1078, ARUB1072, ARUB1033)	80 (3"1/8)	165 (6"1/2)	425 (16"47/64)	550 (21"21/32)	855 (33"21/32)	1005 (39"9/16)
SQUARE (ARUB0961L, ARUB0934L, ARUB0935NL, ARUB0936NL, ARUB0952L, ARUB1024N, ARUB1112, ARUB1115)	80 (3"1/8)	130 (5"1/8)	390 (15"23/64)	515 (20"9/32)	820 (32"9/32)	970 (38"3/16)
SEN (ASEN0911)	80 (3"1/8)	130 (5"1/8)	390 (15"23/64)	515 (20"9/32)	820 (32"9/32)	970 (38"3/16)



Notes



La vasca deve essere installata su un pavimento perfettamente piano.
The bathtub must be positioned on a flat floor surface.

E' necessario predisporre a pavimento un pozzetto.
It is necessary to prepare a recess in the floor.

Evitare di realizzare impianti di riscaldamento nell'area sottostante la vasca.
Avoid the installation of floor heating plants in the area under the bathtub.