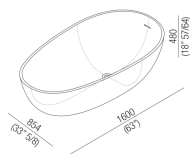




Bathtubs Spoon M  
**AVAS1093\_**

Benedini Associati, 2019

Spoon M



**Finishes**



White



White/dark grey



White/light grey

Oval bathtub made from white Cristalplant® biobased or two coloured (exterior in dark grey RAL7021 or light grey RAL7044); with overflow, without tap holes. Taps can be wall or floor mounted. The bathtub must be fitted with waste trap .MET0477 or .MET0477C (.MET0434 or .MET0477C for display tubs).

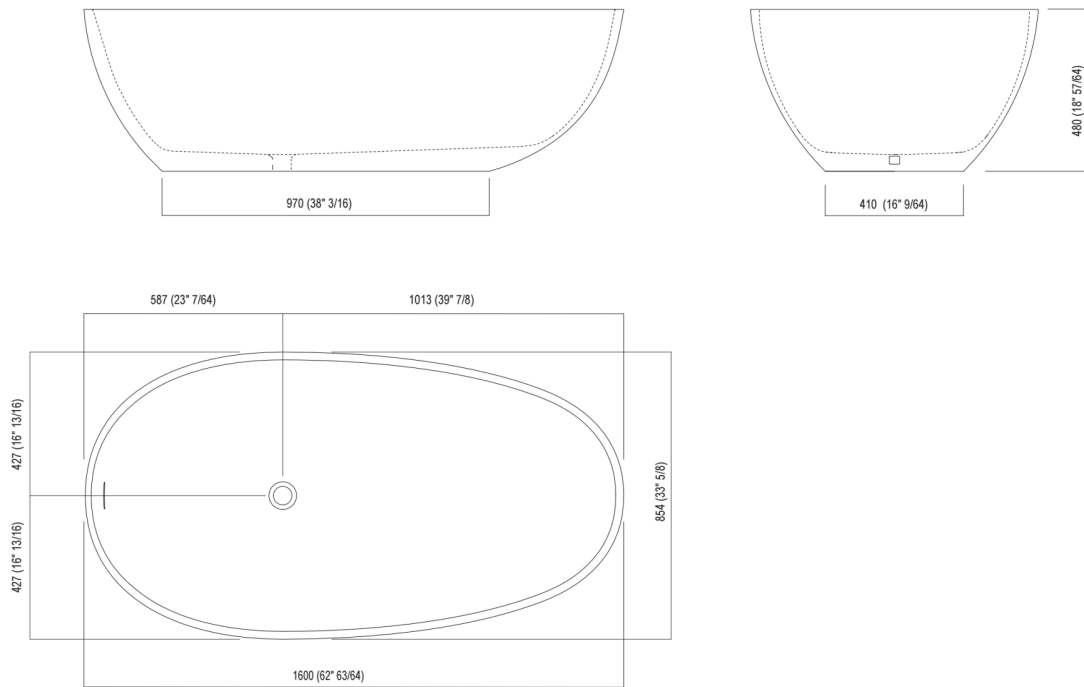
The two-coloured model can be made in colours chosen by the client with a surcharge of 15% on the price of the two-coloured finish. For an easier installation of the bathtubs we recommend to use the template for the positioning of the waste trap AKITPZVAS.

Materials used: Cristalplant® biobased.

Height:	48.0 cm	18" 57/64 inches
Depth:	85.4 cm	33" 5/8 inches
Length:	160.0 cm	63" inches
Capacity:	250.0 l	66 gal
Weight:	67.0 kg	148 lbs
Packaging measurements:	100 x 172 x 65 cm	39" 3/8 x 24" 3/8 x 25" 5/8 inches
Weight with packaging:	117.0 kg	258 lbs

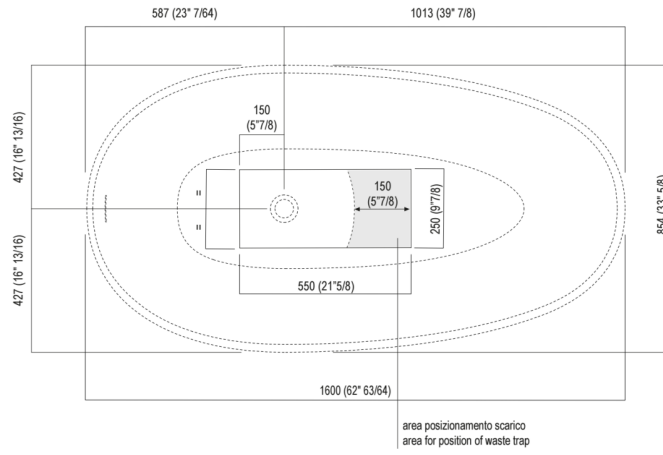


Main dimensions



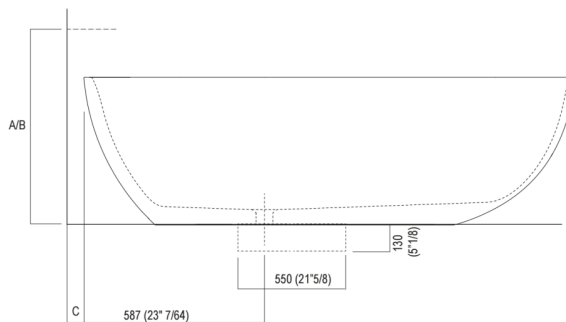
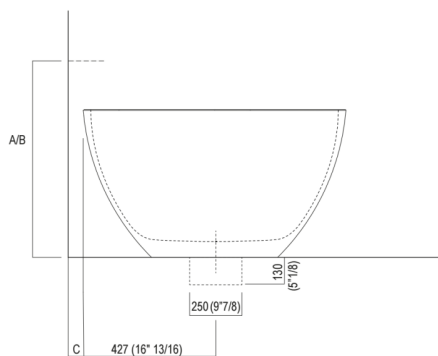


Dimensions for recess





Dimensions for wall mounted taps

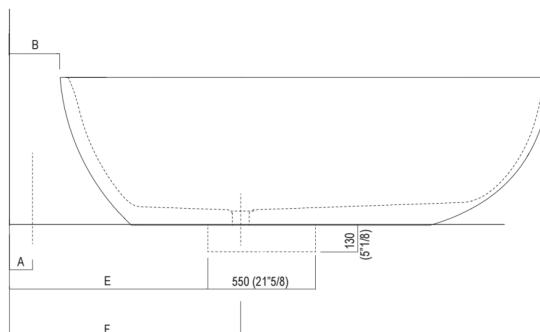
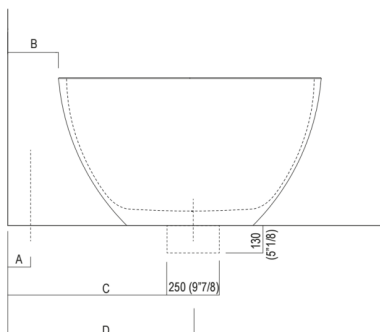


	A*	B**	C
FEZ 2 (AFEZ027)	630 (24" 51/64)	-	50 (1" 31/32)
FEZ (ARUB050000L, ARUB051000L, ARUB150000C, ARUB151000C, ARUB190000C, ARUB191000C)	630 (24" 51/64)	-	50 (1" 31/32)
MEMORY (AMEM342, AMEM324, AMEM343, ARUB1077S, ARUB1040S)	630 (24" 51/64)	-	50 (1" 31/32)
SQUARE (ARUB1117, ARUB1118, ARUB0932N, ARUB0933N)	-	700 (27" 9/16)	150 (5" 29/32)
SEN (ASEN0912V)	-	700 (27" 9/16)	50 (1" 31/32)

\* inserasse gruppo / axial distance for tap  
 \*\* filo inferiore gruppo / Tap's lower edge



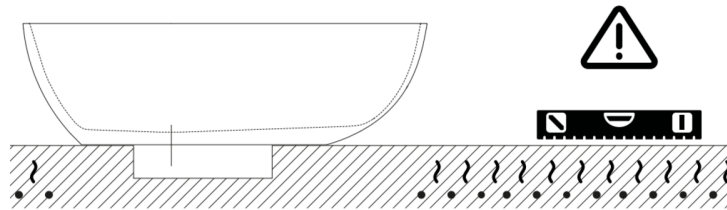
Dimensions for freestanding spouts



	A	B	C	D	E	F
FEZ 2 (ARUB140, ARUB141, AFE026)	80 (3" 1/8)	200 (7" 7/8)	500 (19" 11/16)	626 (24" 41/64)	637 (25" 5/64)	787 (30" 63/64)
FEZ (ARUB145, ARUB170)	80 (3" 1/8)	200 (7" 7/8)	500 (19" 11/16)	626 (24" 41/64)	637 (25" 5/64)	787 (30" 63/64)
MEMORY (AMEM327, AMEM325, ARUB1078, ARUB1072, ARUB1033)	80 (3" 1/8)	200 (7" 7/8)	500 (19" 11/16)	626 (24" 41/64)	637 (25" 5/64)	787 (30" 63/64)
SQUARE (ARUB1112, ARUB1115, ARUB0961L, ARUB0934L, ARUB0935NL, ARUB0936NL, ARUB0952L)	80 (3" 1/8)	165 (6" 1/5)	467 (18" 25/64)	592 (23" 5/16)	605 (23" 13/16)	755 (29" 23/32)
SEN (ASEN0911, ASEN0977)	80 (3" 1/8)	165 (6" 1/5)	467 (18" 25/64)	592 (23" 5/16)	605 (23" 13/16)	755 (29" 23/32)



Note



La vasca deve essere installata su un pavimento perfettamente piano.  
The bathtub must be positioned on a flat floor surface.

E' necessario predisporre a pavimento un pozzetto.  
It is necessary to prepare a recess in the floor.

Evitare di realizzare impianti di riscaldamento nell'area sottostante la vasca.  
Avoid the installation of floor heating plants in the area under the bathtub.