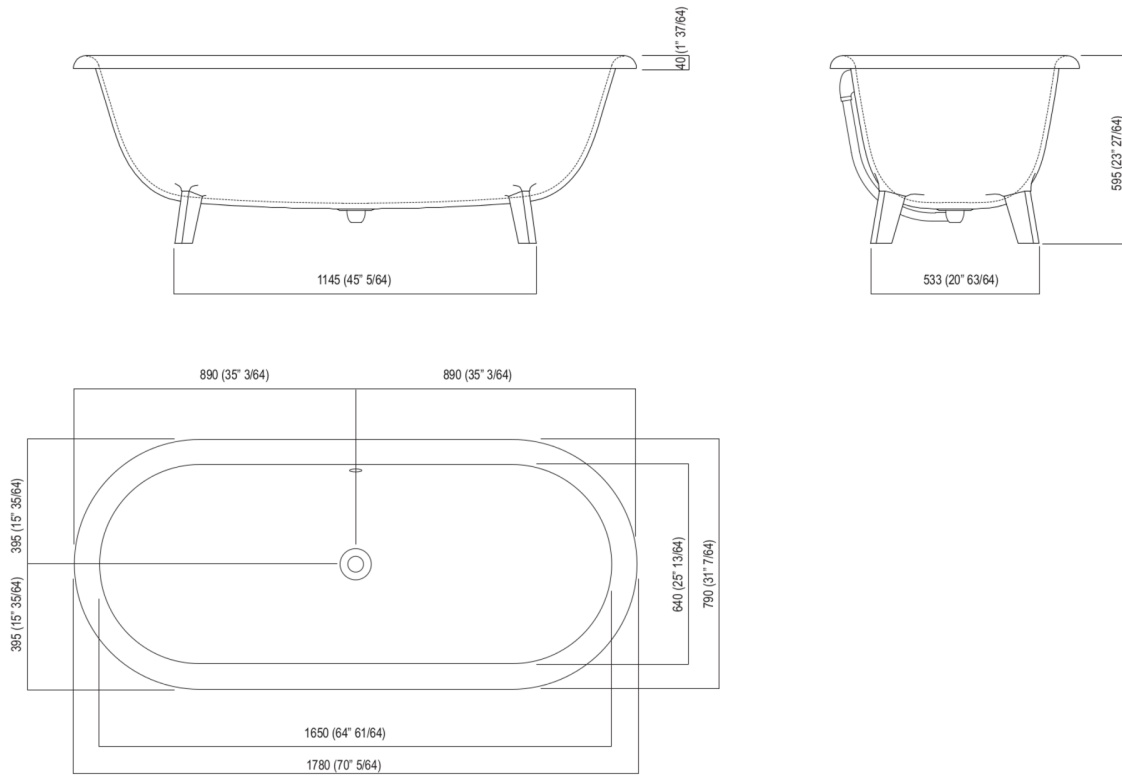
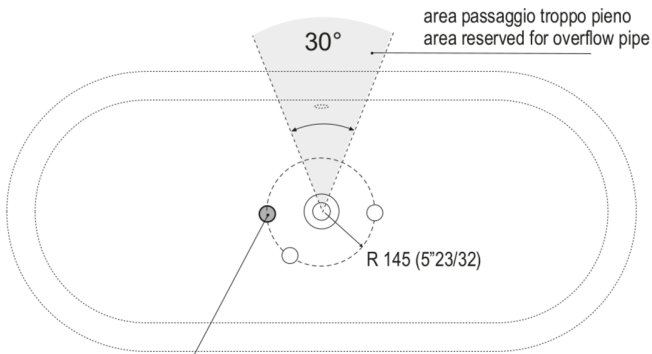
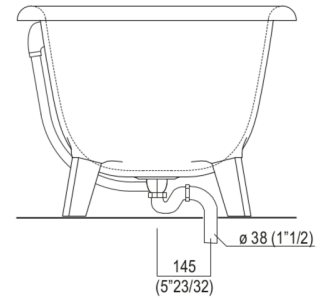
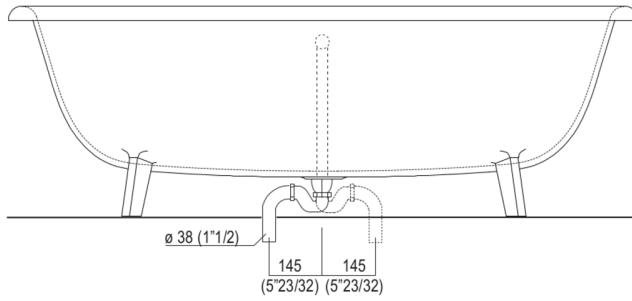




Main dimensions

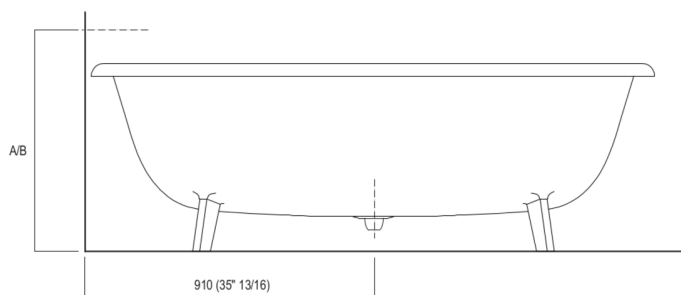
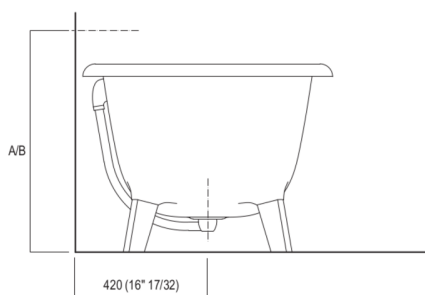




scarico ø 40 mm con OR di tenuta
ø 40 mm waste pipe with O-ring



Dimensions for wall mounted taps

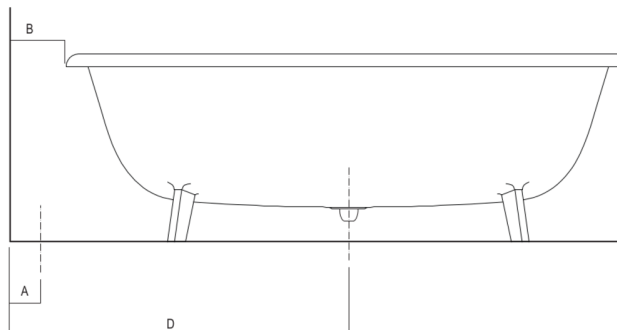
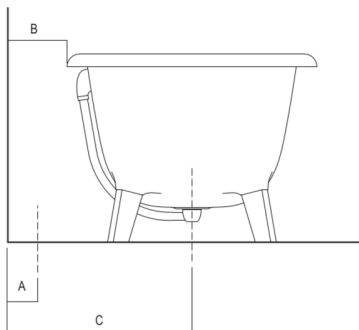


	A*	B**
FEZ (ARUB050000L, ARUB051000L, ARUB150000C, ARUB151000C, ARUB1089S, ARUB190000C, ARUB191000C, ARUB1091S)	700 (27*1/2)	-
MEMORY (ARUB1076S, ARUB1077S, ARUB1040S)	700 (27*1/2)	-
SQUARE (ARUB0932N, ARUB0933N, ARUB1118)	-	700 (27*1/2)
SEN (ASEN0912V)	-	700 (27*1/2)

* inserasse gruppo / axial distance for tap
 ** filo inferiore gruppo / Tap's lower edge



Dimensions for freestanding spouts



	A	B	C	D
FEZ (ARUB140, RAUB145, ARUB170N)	80 (3"1/8)	165 (6"1/2)	575 (22"41/64)	1070 (42"1/8)
MEMORY (ARUB1078, ARUB1072, ARUB1033)	80 (3"1/8)	165 (6"1/2)	575 (22"41/64)	1070 (42"1/8)
SQUARE (ARUB0961L, ARUB0934L, ARUB0935NL, ARUB0936NL, ARUB0952L, ARUB1024N, ARUB1112, ARUB1115)	80 (3"1/8)	165 (6"1/2)	575 (22"41/64)	1070 (42"1/8)
SEN (ASEN0911)	80 (3"1/8)	125 (4"59/64)	520 (20"15/32)	1015 (39"15/16)



Dimensions for tap support

