



VERSIONS



Square

- 2.5m/8'2"
- 3m/9'10"



Round

- 3m/9'10"
- 3.5m/11'6"

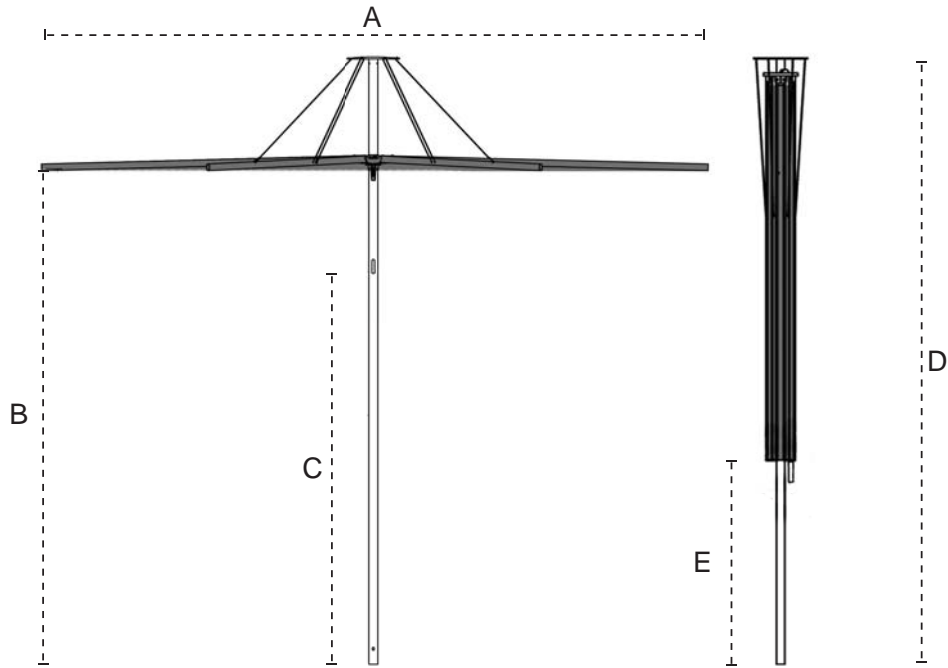
POSITIONS



COLORS

PREMIUM	Alba	Roma	Taupe	Stonegray	Mandarine	Red	Terra	Sunflower	Camel	Mint	Nero
	LIMITED	Canvas	Taupe	Granite	Orange	Paris Red	Pink	Gold	Lagoon	Olive	

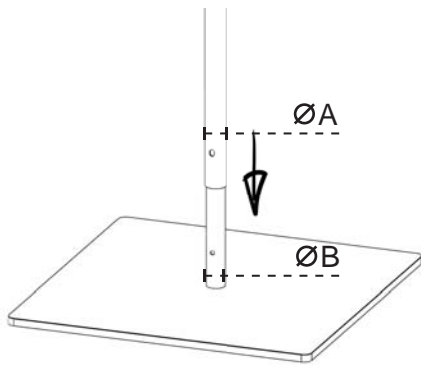
DIMENSIONS



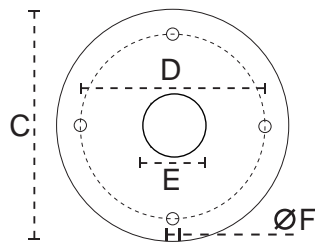
	A cm/ft	B cm/ft	C cm/ft	D cm/ft	E cm/ft
□ 2.5m/8'2"	250/8'2"	220/7'3"	180/5'11"	274/8'12"	116/3'10"
□ 3m/9'10"	300/9'10"	220/7'3"	180/5'11"	274/8'12"	91/3'
○ 3m/9'10"	300/9'10"	220/7'3"	180/5'11"	274/8'12"	89/2'11"
○ 3.5m/11'6"	350/11'6"	220/7'3"	180/5'11"	274/8'12"	55/1'8"

DIMENSIONS FOR BASES/SPIGOT

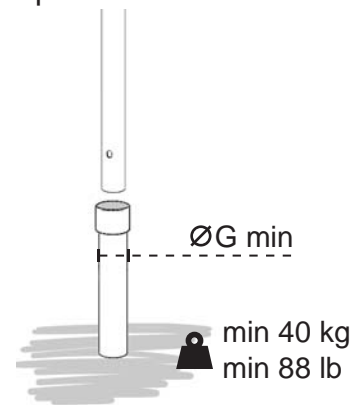
Mobile base



Fixed Spigot for Ground mounting

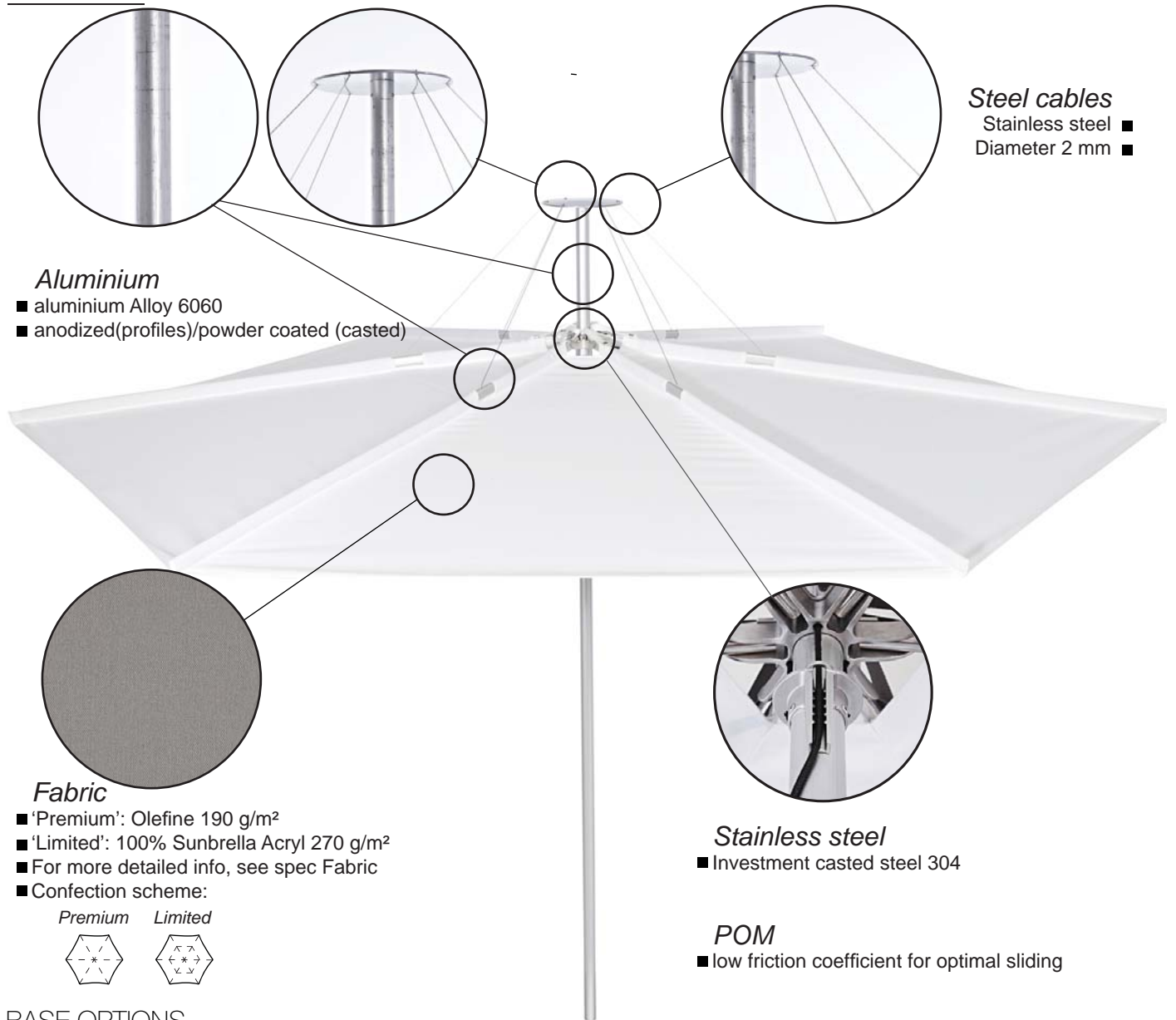


FITS ALL BASES
Req's for other bases



	A mm/inch	B mm/inch	C mm/inch	D mm/inch	E mm/inch	F mm/inch	G mm/inch
Fixed Base: In-Ground Fitting	40/1.6"	35/1.4"	215/8.5"	170/6.7"	35/1.4"	11/0.43"	42/1.65"

MATERIALS



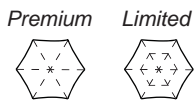
Steel cables
 Stainless steel ■
 Diameter 2 mm ■

Aluminium

- aluminium Alloy 6060
- anodized(profiles)/powder coated (casted)

Fabric

- 'Premium': Olefine 190 g/m²
- 'Limited': 100% Sunbrella Acryl 270 g/m²
- For more detailed info, see spec Fabric
- Confection scheme:



Stainless steel

- Investment casted steel 304

POM

- low friction coefficient for optimal sliding

BASE OPTIONS

L	W	H	Weight
40 cm	40 cm	15 mm	40 kg
1'3.8"	1'3.8"	0.6"	88 lb

Galvanised steel ■
 Top natural anodised Alu 1mm/0.04" ■
 Tube of 35x2/380 (1.4"x0.08"/1'3") ■

H	Weight
+9 mm	+20 kg
0.35"	44 lb

Galvanised steel 9 mm/0.35" ■

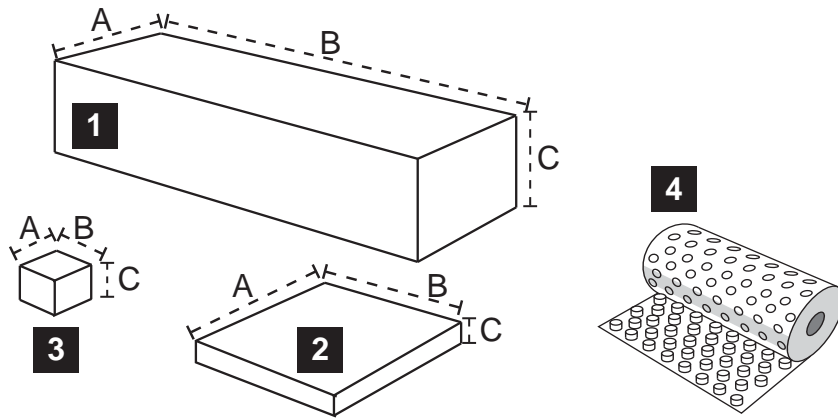
L	W	H	Weight
40 cm	40 cm	9 cm	41 kg
1'3.8"	1'3.8"	3.5"	90 lb

Galvanised Steel ■
 Ball bearing for optimal turning ■
 Brake prevents rotating and moving ■

L	P	Weight
35 cm	40x40x3 mm	n/a
1'2"	1.6"x1.6"x0.12"	n/a

Galvanised Steel ■
 Pit of 60x60x40cm ■
 or 2"x2"x1'4" filled with concrete

PACKAGING AND TRANSPORT



	qty #	Type	A cm/ft,inch	B cm/ft,inch	C cm/ft,inch	Net weight kg/lb	Brut weight kg/lb
Umbrella Box	1	1	27/10.6"	281/9'2.6"	27/10.6"	4,4/9.7	13/28.7
Base Box	1	2	66/2'2"	64/2'1"	4/1.6"	0,5/1.1	40,5/89.3
Box set additional weight	1	2	62/2'0.4"	62/2'0.4"	4/1.6"	0,5/1.1	25,5/56.2
In-Ground Fitting Box	1	4	22/8.7"	22/8.7"	38/1'3"	n/a	3.4/7.5
Spigot for ground mounting	1	4	22/8.7"	22/8.7"	40/1'3.7"	n/a	3.8/8.4

NICE TO KNOW

■ All umbrella's include:

Manual



Storage Bag

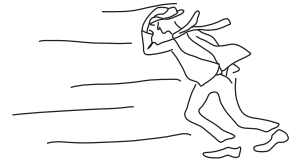
- PU coated fabric
- Can resist a water column till 500mm/1'8"
- Easy to use thanks to zipper and auxiliary tool

- All parts can be ordered separately
- Designed and made in Belgium
- 2 yrs warranty on structure, 3 yrs on decoloration of fabric
- For more info check

www.umbrosa.be
www.youtube.com/UmbrosalInnovation
www.facebook.com/Umbrosa

- As a guideline we refer to the following wind speeds
6 beaufort, 50km/h, 31mph

Tested at



CONTACT

UMBROSA[®]
 UNIQUE SHADE DESIGN

Heirweg 198A
 8800 Roeselare
 BELGIUM

T: +32 51 30.22.60
 F: +32 51 30.22.62
 E: info@umbrosa.be

The content of this document, in particular the mentioned models, is protected by copyrights and/or design rights. The present document and its content is communicated to you for information purposes only. Any partial or total reproduction or any other use without our prior written permission is strictly prohibited. This technical sheet remains subject to possible changes. Of course we do our best to eliminate all mistakes, but Umbrosa is not responsible for the errors in the documentation of products. All measurements are approximate and are provided for informational purposes only.