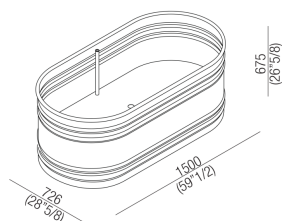




Bathtubs Free-standing Vieques XS
AVAS0912_

Patricia Urquiola, 2013

bathtub



Finishes



White



White/dark grey



White/light grey



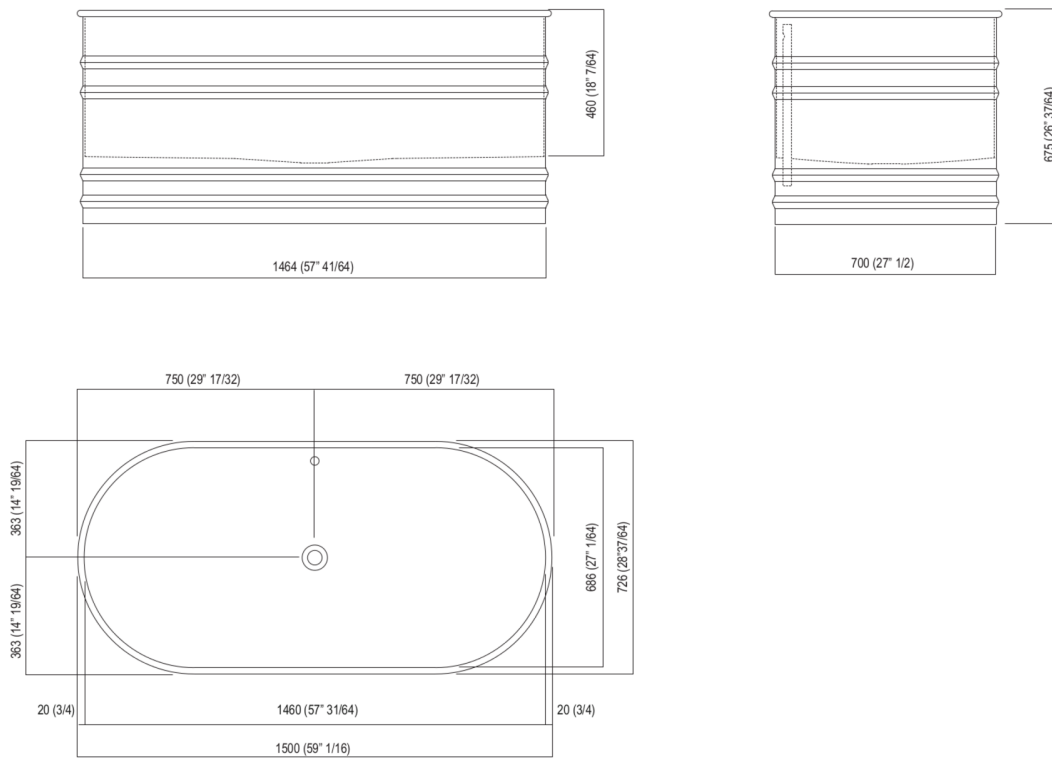
Oval steel bathtub painted white (RAL9003) with dark grey exterior (RAL7021). With external overflow system painted white. Available in two measures: Vieques (cm 171, h cm 62,5 - 67" 3/8, h 24" 5/8) and Vieques XS (cm 155, h cm 67,5 - 59" 1/2, h 26" 5/8). Backrest and shelf in iroko wood available as accessories, to be installed on bathtub edge. The bath must be fitted with waste trap .MET0433WU (.MET0434 for bathtubs on display). For an easier installation of the bathtubs we recommend to use the template for the positioning of the waste trap AKITPZVAS.

Materials used: Steel.

Height:	67.5 cm	26"5/8 inches
Depth:	72.6 cm	28"5/8 inches
Lenght:	150.0 cm	59"1/2 inches
Capacity:	320.0 l	85 gal
Weight:	65.0 kg	143 lbs
Packaging measurements:	87 x 165 x 70 cm	34"1/4 x 65" x 27"1/2 inches
Weight with packaging:	88.0 kg	195 lbs

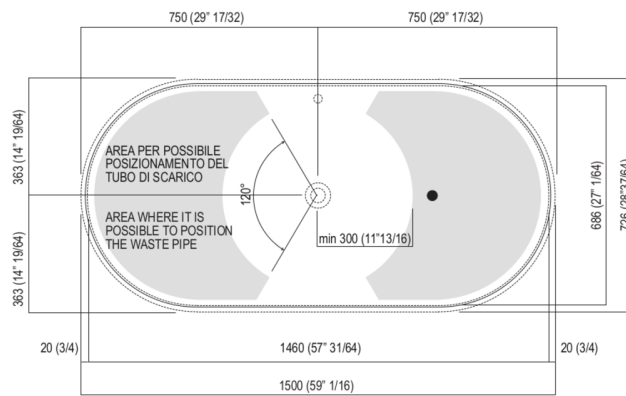


Main dimensions



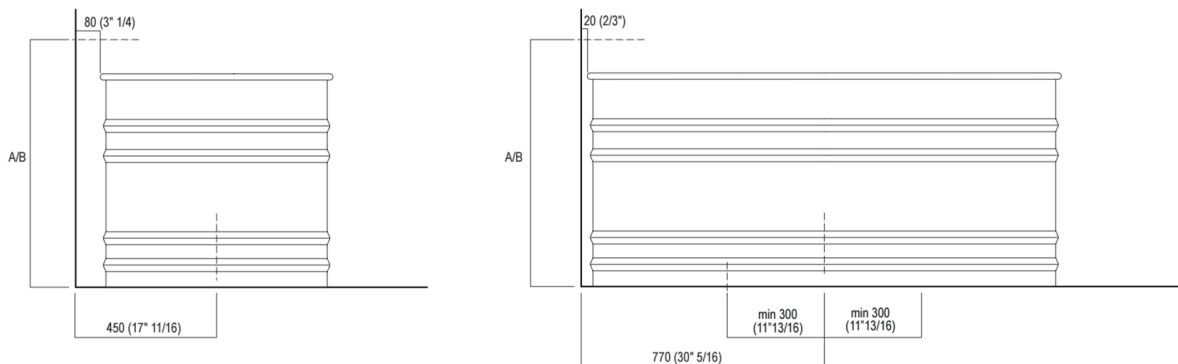


Drain pipe position





Dimensions for wall mounted taps

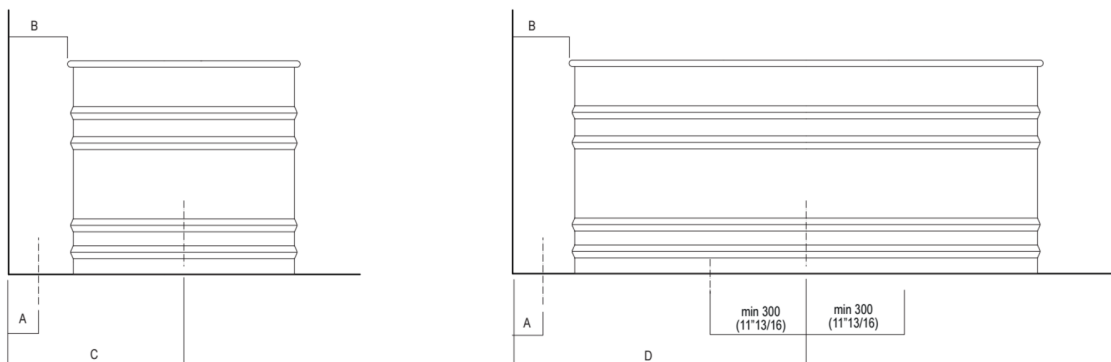


	A*	B**
FEZ (ARUB050000L, ARUB051000L, ARUB150000C, ARUB151000C, ARUB1089S, ARUB190000C, ARUB191000C, ARUB1091S)	780 (30"45/64)	-
MEMORY (ARUB1076S, ARUB1077S, ARUB1040S)	780 (30"45/64)	-
SQUARE (ARUB0932N, ARUB0933N, ARUB1117)	-	780 (30"45/64)
SEN (ASEN0912V)	-	830 (32"43/64)

* inserasse gruppo / axial distance for tap
 ** filo inferiore gruppo / Tap's lower edge



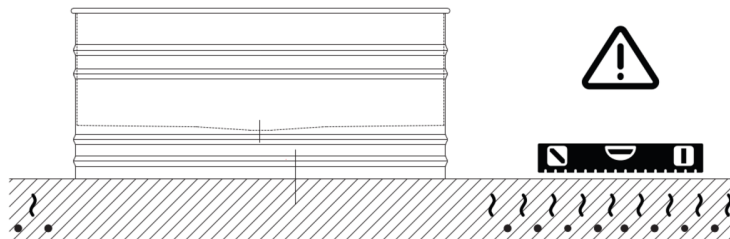
Dimensions for freestanding spouts



	A	B	C	D
FEZ (ARUB140, RAUB145, ARUB170N)	80 (3"1/8)	170 (6"11/16)	540 (21"17/64)	920 (36"7/32)
MEMORY (ARUB1078, ARUB1072, ARUB1033)	80 (3"1/8)	170 (6"11/16)	540 (21"17/64)	920 (36"7/32)
SQUARE (ARUB0961L, ARUB0934L, ARUB0935NL, ARUB0936NL, ARUB0952L, ARUB1024N, ARUB1112, ARUB1115)	80 (3"1/8)	140 (5"33/64)	520 (20"15/32)	900 (35"7/16)
SEN (ASEN0911)	80 (3"1/8)	140 (5"33/64)	520 (20"15/32)	900 (35"7/16)



Note



La vasca deve essere installata su un pavimento perfettamente piano.
The bathtub must be positioned on a flat floor surface.

Evitare di realizzare impianti di riscaldamento nell'area sottostante la vasca.
Avoid the installation of floor heating plants in the area under the bathtub.