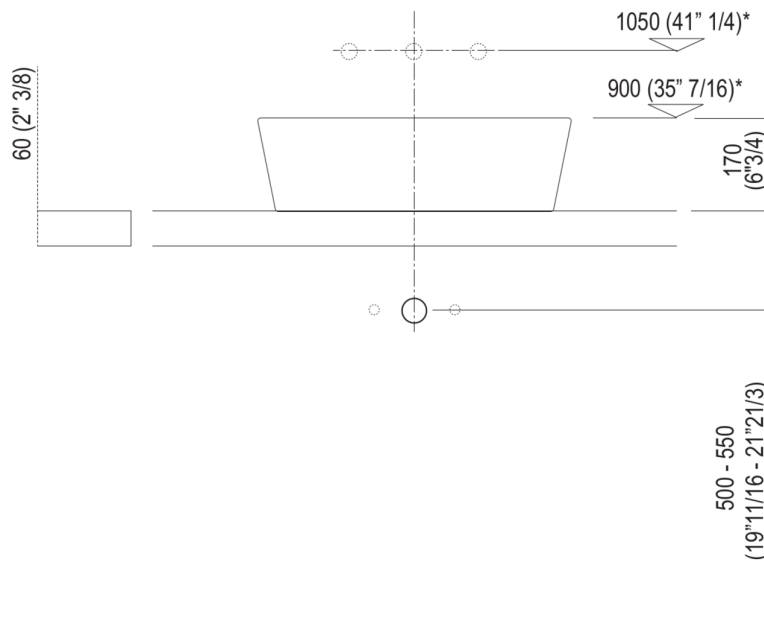




Installation notes: countertop with concealed wall fixings/freestanding with thickness cm 6 (2"3/8)

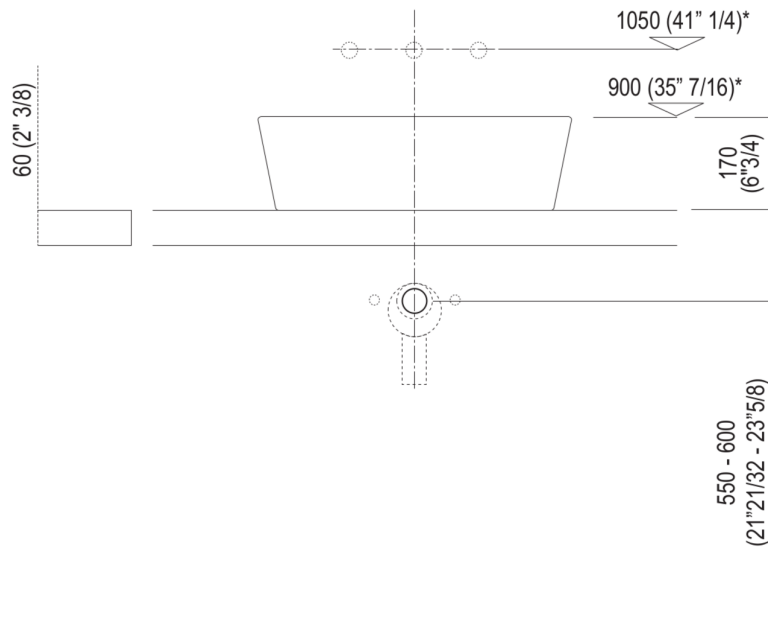


Scarico per sifone a bottiglia  
Drain for bottle trap

\*h.consigliata / advised h.



Installation notes: countertop with concealed wall fixings/freestanding with thickness cm 6 (2"3/8)

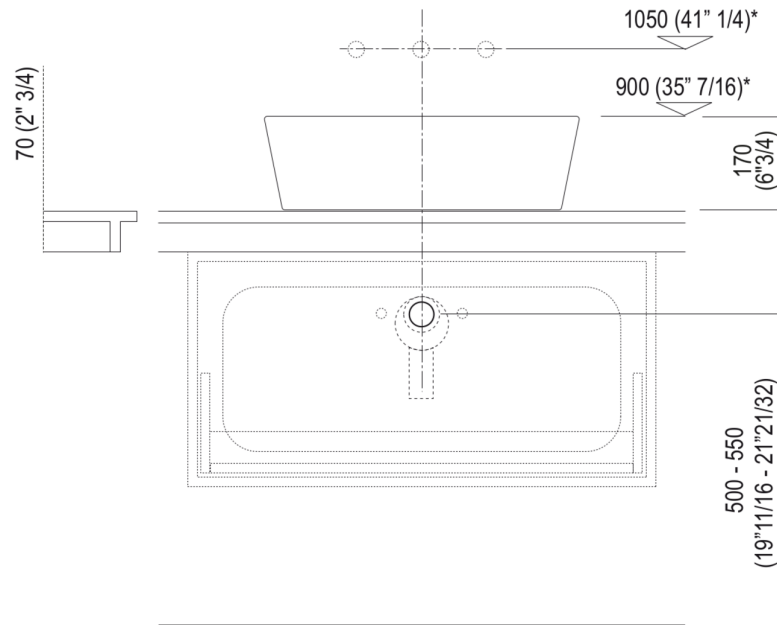


Scarico per sifone ad incasso  
Drain for concealed waste trap

\*h.consigliata / advised h.



Installation notes: countertop Evoluzione

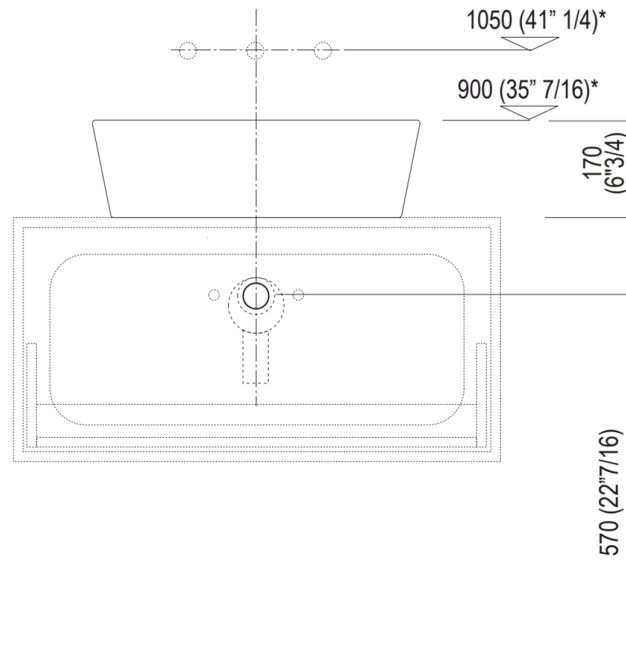


Scarico per sifone a bottiglia e ad incasso  
Drain for bottle trap and concealed waste trap

\*h.consigliata / advised h.



Installation notes: on casing H 40 cm Lato

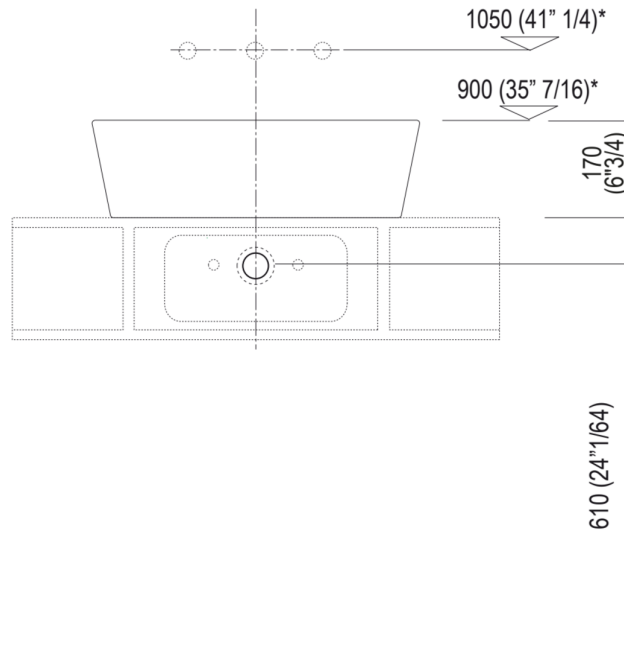


Scarico per sifone a bottiglia o ad incasso  
Drain for bottle trap or concealed waste trap

\*h.consigliata / advised h.



Installation notes: on casing H 20 cm Lato



Scarico per sifone a bottiglia  
Drain for bottle trap

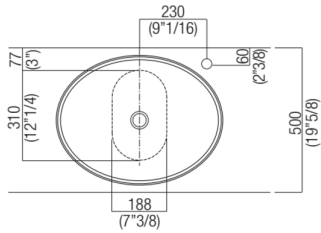
\*h.consigliata / advised h.



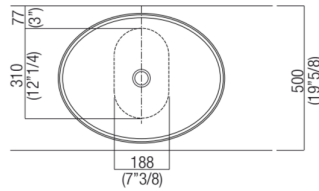
Holes for countertop washbasins and top mounted taps for top

**PIANO cm 50 / COUNTERTOP cm 50**

Posizione standard per rubinetto su piano  
 Standard position for top mounted tap



Posizione standard per rubinetto a parete  
 Standard position for wall mounted tap



Posizione speciale per rubinetto Sen a parete e Square con bocca curva  
 Special position for wall mounted tap Sen and Square white curved spout

**NON NECESSARIA**  
**NOT NECESSARY**

Tap position, recommended height

**POSIZIONE RUBINETTERIA / TAP POSITION**

Altezza consigliata / Recommended height

