

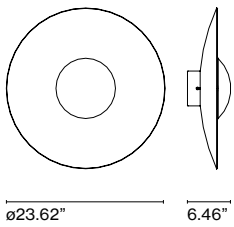
LED-Ginger

Joan Gaspar

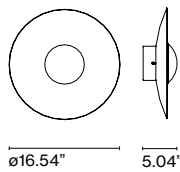
marset



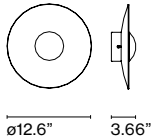
LED-Ginger 60C



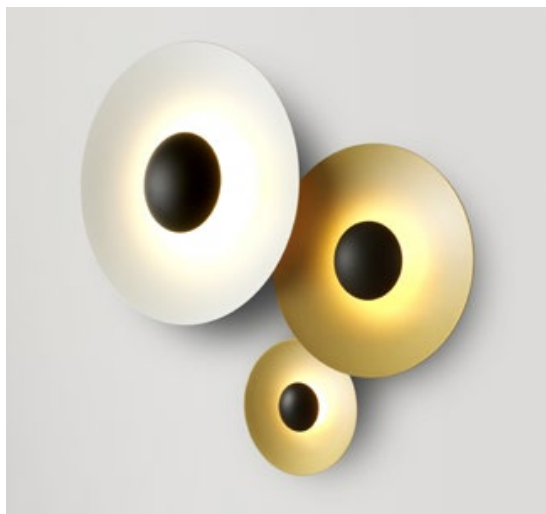
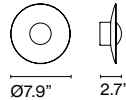
LED-Ginger 42C



LED-Ginger 32C



LED-Ginger 20C



LED-Ginger 20C

LED SMD 6W 350mA 2700K CRI90 (included)
Source lumens 139lm

LED-Ginger 32C

LED SMD 14W 700mA 2700K CRI90 (included)
Delivered lumens 350lm
Triac phase control dimmer (120V only)
0-10V (120-277V)

LED-Ginger 42C

LED SMD 21W 700mA 2700K CRI90 (included)
Delivered lumens 698lm
Triac phase control dimmer (90-135V only)
0-10V (120-277V)

LED-Ginger 60C

LED SMD 28W 700mA 2700K CRI90 (included)
Delivered lumens 1165lm
Dual dimming driver: Triac (120V only)
or 0-10v (120-277V)

Pressed wood diffuser of 0.16 inches in natural oak or wenge. Injected and lacquered black metal matte aluminum dissipater.

- Oak - Oak
- Wenge - Wenge
- Oak - White
- Wenge - White
- Brushed brass - Brushed brass
- Black - White



Dry locations only

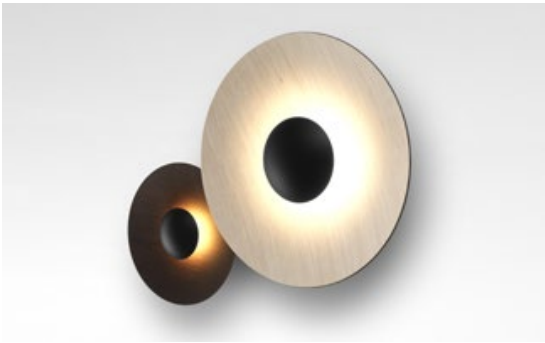
Dimmable**

* LED-Ginger 20C under approval process

**Only C 32, 42, 60

- [Download](#) Assembly Instructions
- [Download](#) 2D
- [Download](#) 3D

Wood is a great ally of cozy lighting. It is a material that is hard to mold, a challenge that the LED-Ginger collection neatly resolves. The combination of sheets of wood and paper pressed together under high pressure achieves a laminate that appears almost entirely flat.

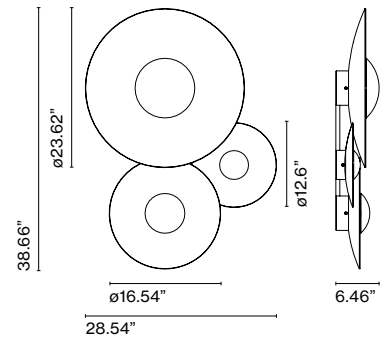
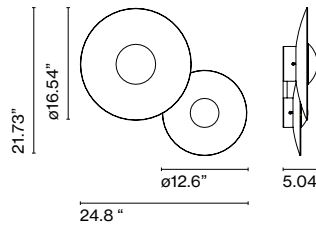
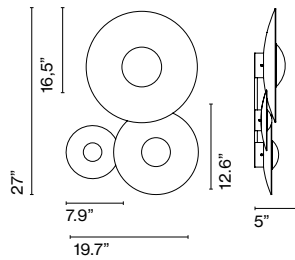
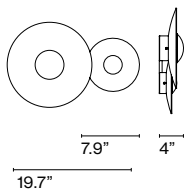


Accessory C2 20/32

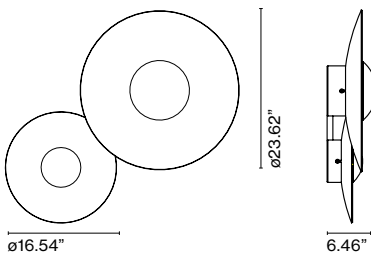
Accessory C3 20/32/42

Accessory C2 32/42

Accessory C3 32/42/60



Accessory C2 42/60



Accessory C2 20/32

LED SMD 13,9W 700mA 2700K CRI90
Delivered lumens 450lm
(included)

Dual dimming driver:
Triac (120V only) or 0-10v (120-277V)

Accessory C3 20/32/42

LED SMD 35,6 700mA 2700K CRI90
Light Source 1148lm
(included)

Dual dimming driver:
Triac (120V only) or 0-10v (120-277V)

Accessory C2 32/42

LED SMD 33,2W 700mA 2700K CRI90
Delivered lumens 1048lm
(included)

Triac phase control dimmer / 0-10V

Accessory C3 32/42/60

LED SMD 60,2W 700mA 2700K CRI90
Delivered lumens 2213lm
(included)

Triac phase control dimmer / 0-10V

Accessory C2 42/60

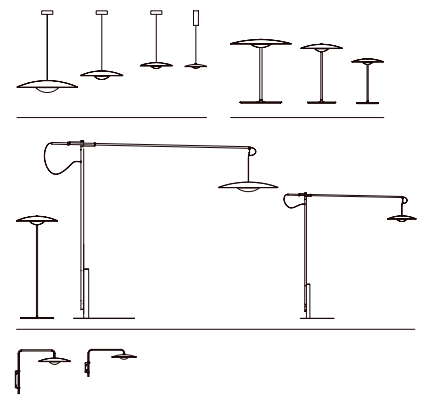
LED SMD 50,2W 700mA 2700K CRI90
Delivered lumens 1863lm
(included)

Triac phase control dimmer / 0-10V

**Pressed wood or brushed aluminum diffuser.
Injected and lacquered black metal matte alu-
minum dissipater.**

- Oak - Oak
- Wenge - Wenge
- Oak - White
- Wenge - White
- Brushed brass - Brushed brass
- Black - White

Range

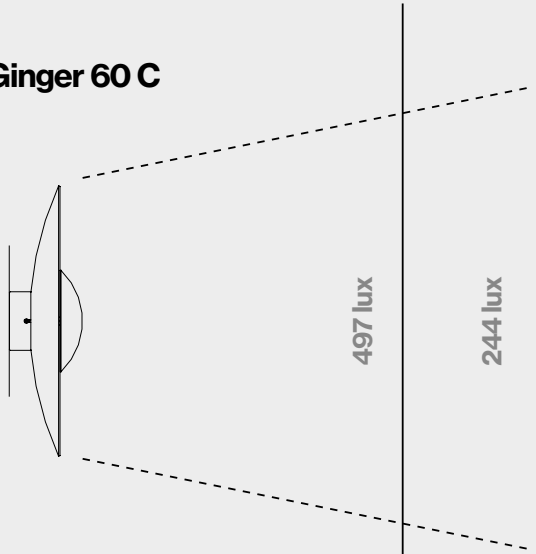


⚠ WARNING. California Proposition 65 Warning for California Consumers. This product can expose you to chemicals including wood dust and lead which are known to the State of California to cause cancer or birth defects or other reproductive harm. For more information go to www.P65Warnings.ca.gov

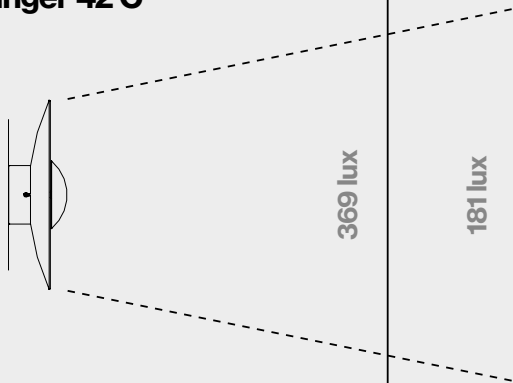
Watch the video
marsetusa@marset.com
www.marset.com

How LED-Ginger illuminates

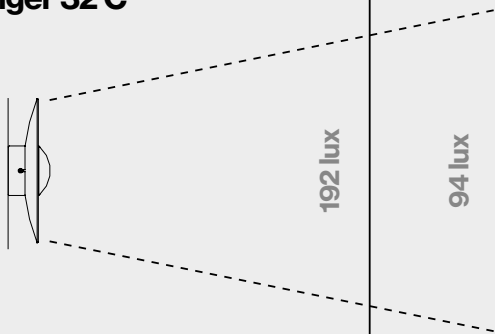
LED-Ginger 60 C



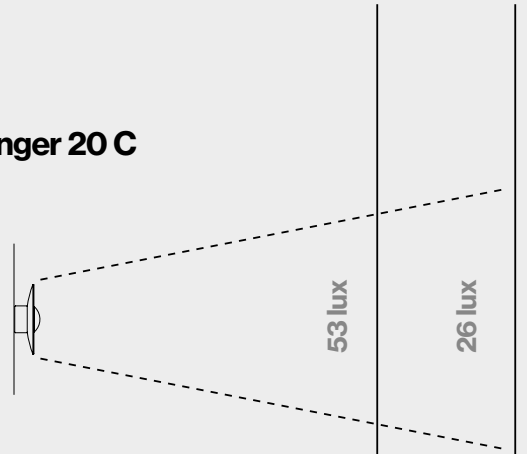
LED-Ginger 42 C



LED-Ginger 32 C



LED-Ginger 20 C



At 27.56"

At 39.37"

At 27.56"

At 39.37"