

DADDY LONGLEGS

Martin Solem

cappellini



A product that finds its place in many locations, with a good, high-quality design that's reassuring and with clean lines and warm materials. Seat and footrest at different heights, available in bleached ash, stained black or wenge. In the bleached ash version, the seat can also be dyed China blue or white aniline.

Materials used_

Seat:

1. Beech plywood veneered in bleached ash, walnut stained ash, wengè stained ash, white stained ash or aniline colour China blue ash. Underseat in birch plywood ash veneered.

Base:

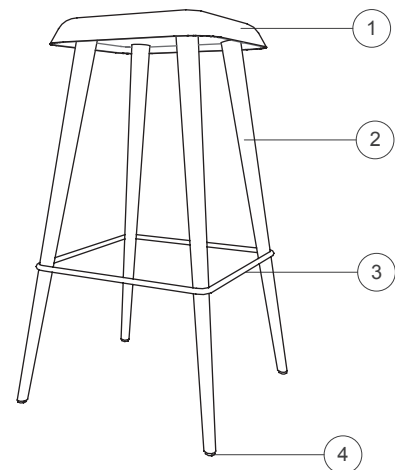
2. Solid wood in bleached ash, walnut stained ash or wengè stained ash.

Footrest:

3. Satined stainless steel

Feet:

4. Black polypropylene



Dimensions_

DYL2



39,5 39,5
15 1/2" 15 1/2"

DYL1



43,5 43,5
17 1/4" 17 1/4"

65,5
25 3/4"

75,5
29 3/4"

