

**Glo-Ball C/W Zero - Specification Sheet**  
 by Jasper Morrison, 1998

**Mounting**

Lamp (Bulb) Description	1 x 40W G9 Frosted Halogen (Included)
Environment	Indoor - Dry Location
Finish	Opal
Technical and Product Description	GLO-BALL C/W ZERO wall or ceiling lamp providing diffused light. Diffuser consisting of an externally acidetched, hand blown, flashed opaline glass and a die-cast aluminum threaded ring nut with alodine plating finish. 30% fiberglass reinforced injection molded polyamide base. Gray painted, die-cast aluminum diffuser support.

**Electrical**

Voltage	120
Switching	NA

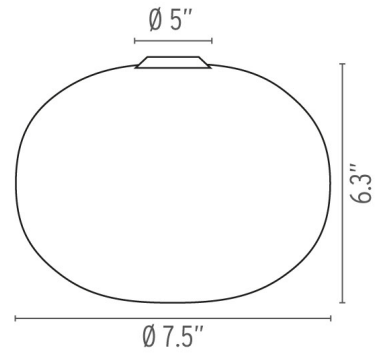
**Physical**

Construction Material	Aluminum, Blown Glass, Plastic
Weight	2.2 lbs



FU333509 Opal

**Dimensional Image**



**Certifications**



ADA

**Lamping (Bulb)**



40W G9 Frosted Halogen

