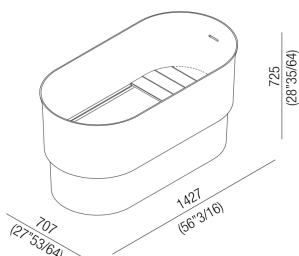




Bathtubs Free-standing Immersion
AVAS1981_

Neri&Hu, 2017

Bathtub with slatted seat



Finishes



White



White/dark grey



White/light grey

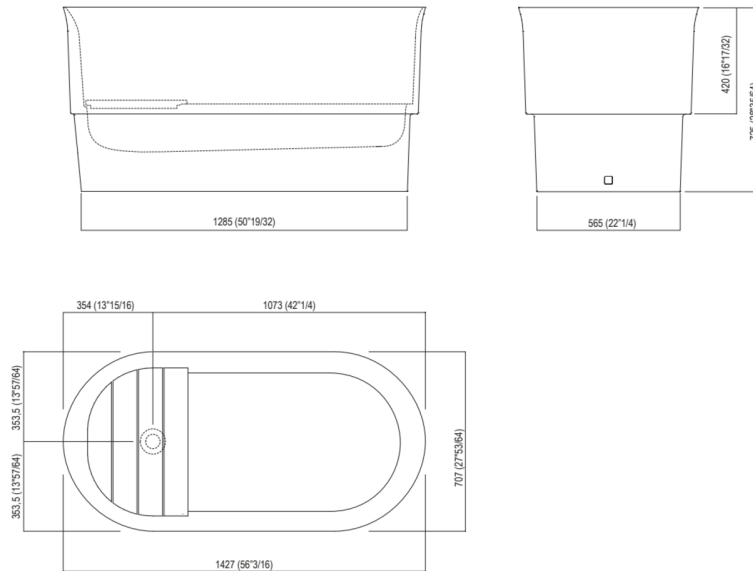
Bathtub in white Cristalplant® biobased or two-tone (exterior in dark grey RAL7021 or light grey RAL 7044); with overflow opening and no tap hole. Taps can be wall or floor mounted. Immersion is equipped with a slatted seat (compulsory insertion) available in Iroko wood or in the same tub material. The bottom of the tub can be encased in the floor to facilitate access. It is fitted with a waste with cap in white Cristalplant® .MET0725C (also suitable for bathtubs in display).

Materials used: Cristalplant® biobased.

| | | |
|-------------------------|------------------|-----------------------------------|
| Width: | 142.7 cm | 56"3/16 inches |
| Height: | 72.5 cm | 28"35/64 inches |
| Depth: | 70.7 cm | 27"53/64 inches |
| Capacity: | 305.0 l | 81 gal |
| Weight: | 100.0 kg | 220 lbs |
| Packaging measurements: | 75 x 150 x 80 cm | 29"17/32 x 59"1/6 x 31"1/2 inches |
| Weight with packaging: | 160.0 kg | 363 lbs |

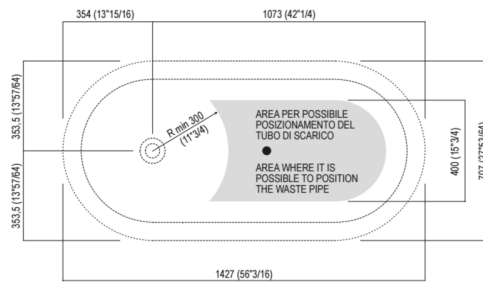


Main dimensions



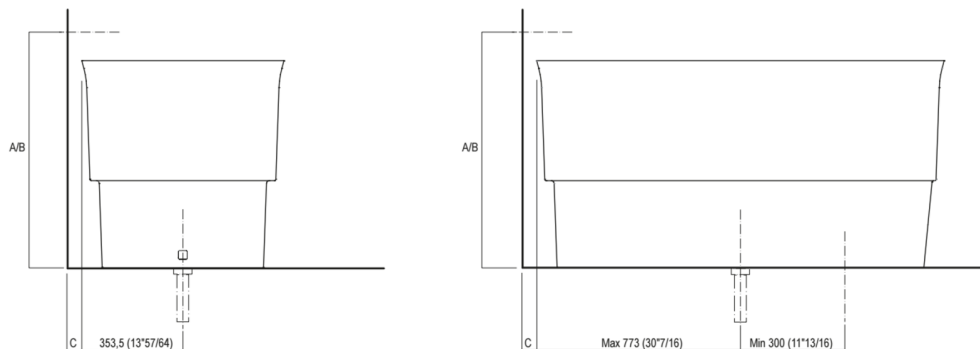


Dimensions for recess





Installation notes: wall mounted tap

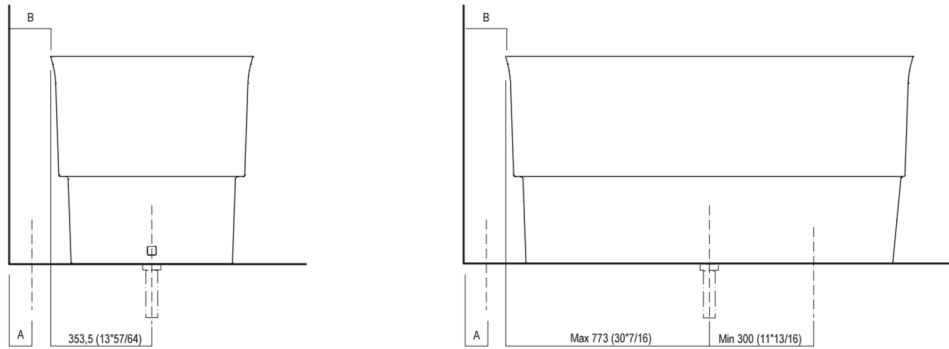


| | A* | B** | C |
|---|----------------|----------------|---------------|
| FEZ 2 (AFEZ027) | 830 (32"43/64) | - | 150 (5"29/32) |
| FEZ (ARUB050000L, ARUB051000L, ARUB150000C, ARUB151000C, ARUB1089S, ARUB190000C, ARUB191000C) | 830 (32"43/64) | - | 50 (1"31/32) |
| MEMORY 2 (AMEM324, AMEM342, AMEM343) | 830 (32"43/64) | - | 150 (5"29/32) |
| MEMORY (ARUB1076, ARUB1077, ARUB1040, ARUB1089, ARUB1091) | 830 (32"43/64) | - | 150 (5"29/32) |
| SQUARE (ARUB0932, ARUB0933, ARUB1117) | - | 830 (32"43/64) | 50 (1"31/32) |
| SQUARE (ARUB1118) | 830 (32"43/64) | - | 150 (5"29/32) |
| SEN (ASEN0912V) | - | 830 (32"43/64) | 50 (1"31/32) |

* inserasse gruppo / axial distance for tap
 ** filo inferiore gruppo / Tap's lower edge



Installation notes: floor-mounted tap

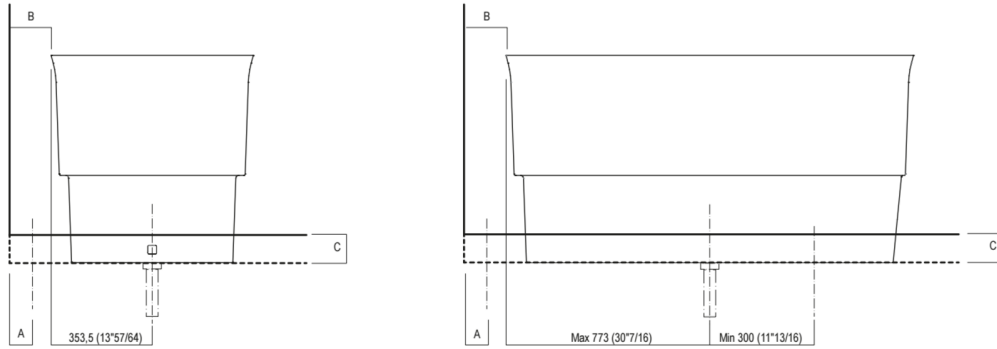


| | A | B |
|--------------------------------|------------|---------------|
| FEZ (ARUB1410000, ARUB1470000) | 80 (3"1/8) | 200 (7"7/8) |
| MEMORY 2 (AMEM325) | 80 (3"1/8) | 160 (9"19/64) |
| MEMORY (ARUB1033) | 80 (3"1/8) | 160 (9"19/64) |

* misure minime/ minimum measures



Installation notes: floor-mounted tap

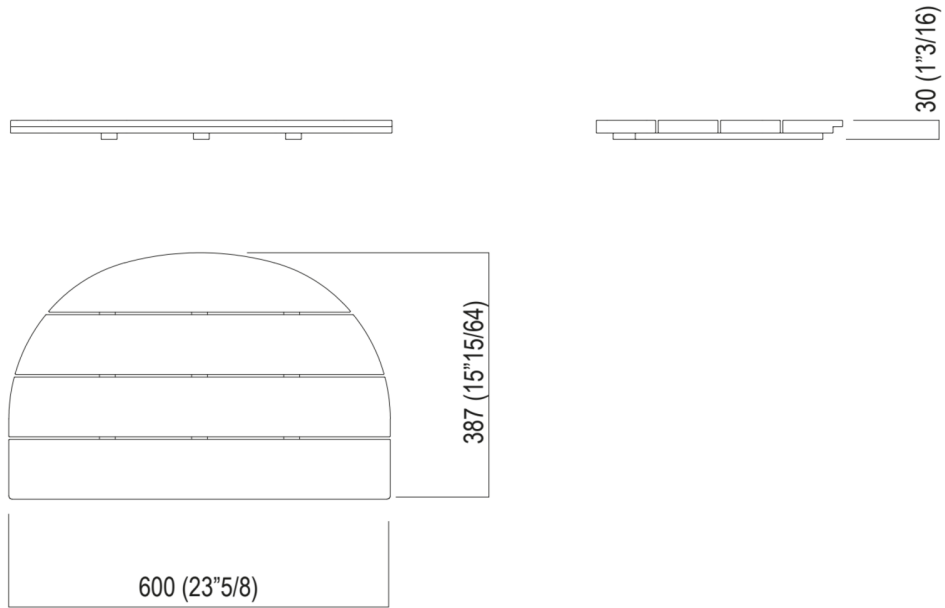


| | A | B | C* |
|---|------------|---------------|---------------|
| FEZ 2 (AFEZ026) | 80 (3"1/8) | 200 (7"7/8) | 100 (3"15/16) |
| FEZ (ARUB1410000, ARUB1470000) | 80 (3"1/8) | 200 (7"7/8) | 100 (3"15/16) |
| (ARUB1400000, ARUB1450000) | 80 (3"1/8) | 200 (7"7/8) | 100 (3"15/16) |
| (ARUB170) | 80 (3"1/8) | 140 (5"33/64) | 100 (3"15/16) |
| MEMORY 2 (AMEM327) | 80 (3"1/8) | 200 (7"7/8) | 100 (3"15/16) |
| MEMORY (ARUB1033) | 80 (3"1/8) | 160 (9"19/64) | 100 (3"15/16) |
| (ARUB1078) | 80 (3"1/8) | 200 (7"7/8) | 100 (3"15/16) |
| SQUARE (ARUB1112, ARUB1115) | 80 (3"1/8) | 200 (7"7/8) | 100 (3"15/16) |
| SQUARE (.CRUB0971L, ARUB1024N, ARUB0952L, ARUB0936NL, ARUB0935NL, ARUB0934L, ARUB0961L) | 80 (3"1/8) | 160 (9"19/64) | 200 (7"7/8) |
| SEN (ASEN09111) | 80 (3"1/8) | 160 (9"19/64) | 100 (3"15/16) |

* misure minime/ minimum measures



Main dimensions AVAS 1982I





Main dimensions AVAS1982Z

