



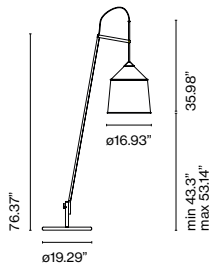
Jaima

Joan Gaspar

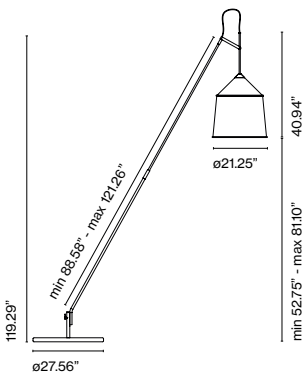
marset



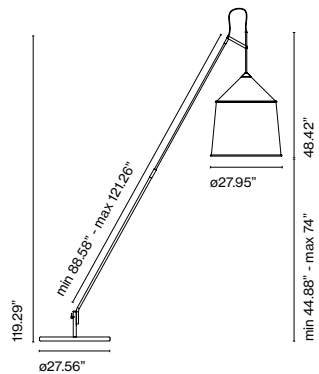
Jaima P207 + Shade 43



Jaima P307 + Shade 54



Jaima P307 + Shade 71



Jaima P207 + Shade 43

LED COB 15W 2700 CRI90
Luminaire 529lm
Light Source 1092lm
(included)

Jaima P307 + Shade 54

LED COB 15W 2700 CRI90
Luminaire 514lm
Light Source 1092lm
(included)

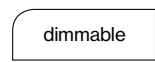
Jaima P307 + Shade 71

LED COB 15W 2700 CRI90
Luminaire 530lm
Light Source 1092lm
(included)

Black electrical cord

Shade made of textielene with the inner part always in white. Stainless steel structure in lacquered grey.

- Blue
- Beige
- Grey
- Green

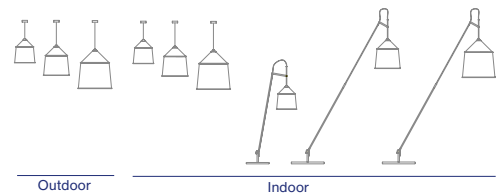


* Under approval process.

Suitable for wet locations

- [Download](#) Assembly instructions
- [Download](#) Photometric data
- [Download](#) 2D
- [Download](#) 3D

Collection



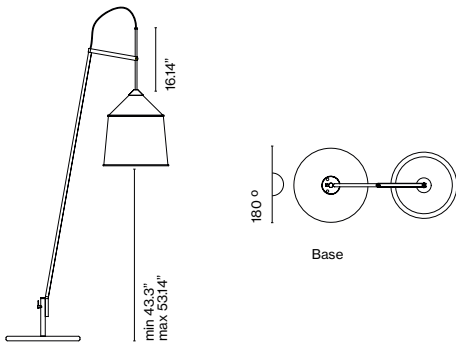
Watch the video

info@marset.com

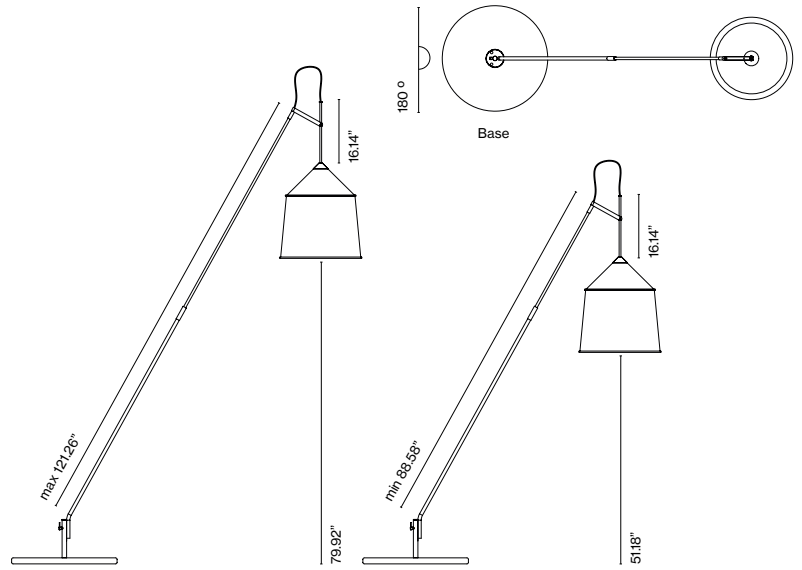
Through the language of textiles, Joan Gaspar has designed a light of flexible, ductile materials that sifts the light as readily as it moves with the wind. In the Jaima collection, the light is the shade and weaver of emotions.

Range of positions

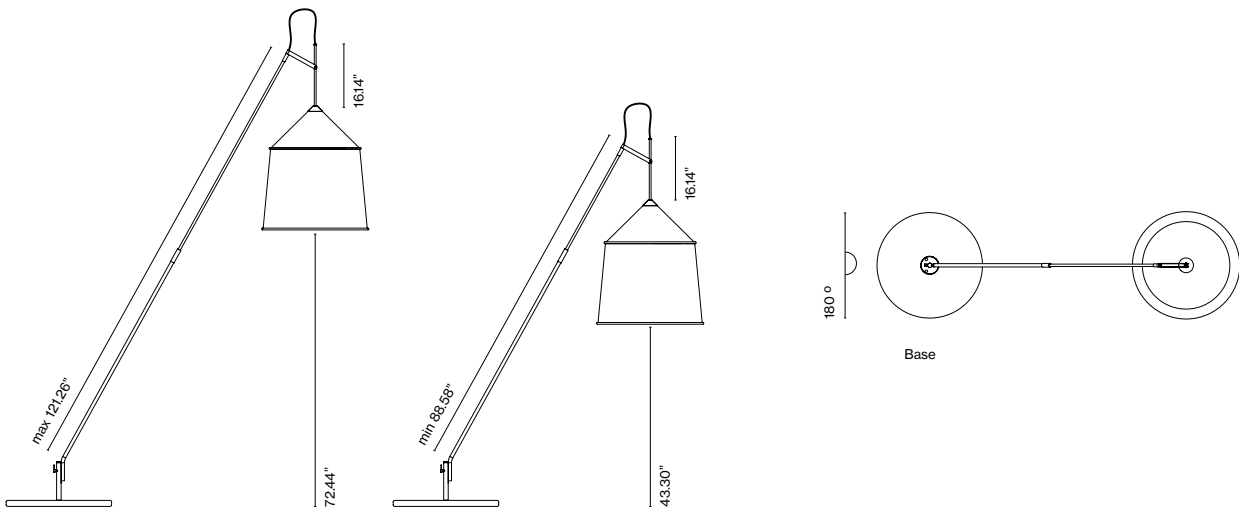
Jaima P207 with shade 43



Jaima P307 extensible with shade 54



Jaima P307 extensible with shade 71



Base



Floor support



Wall bracket



Shade finishes