



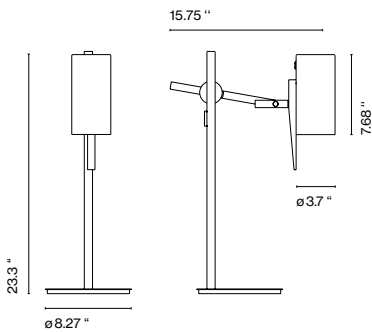
Scantling

Mathias Hahn

marset



Scantling S



Scantling S

- ☑ E26 CFL TYPE T 20W
- ☑ E26 LED TYPE A 11W

120 V - 60 Hz

Black braided cloth electrical cord

Lacquered iron stem and base. Solid oak arm supports a lacquered aluminum shade. The switch is built into the diffuser.

Structure

- White-Oak
- Black-Oak

Shade

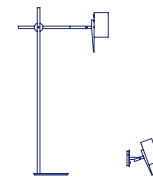
- White (Ral 9010)
- Black (Ral 9005)



Dry locations only

- [Download](#) Assembly Instructions
- [Download](#) 2D
- [Download](#) 3D

Range



Watch the video

info@marset.com
www.marset.com

A combination of basic geometric shapes and the use of wood together with metal give this range of lamps a homely appearance, at the same time as a clearly defined personality.