



---

## HISTORY

Designed by Ole Wanscher in 1964.

Produced in limited quantities at the time.

The Colonial Sofa was reintroduced by Carl Hansen & Søn in 2015 and presented for the first time at Stockholm Furniture Fair in 2015.

---

## DESCRIPTION

The Sofa reflects Wanscher's fascination with furniture design from 18th century England and bygone Colonial times.

The Sofa is a part of the Colonial Series together with the Colonial Chair, footrest and coffee table.

It complements the series in the living room, but can also stand alone as a functional statement piece in a hall or hotel lobby.

The Sofa is only available as a 2-seater.

The Sofas slender dimensions are kept minimal - its strength achieved instead through a well thought out construction.

The Sofa is based on the same relatively simple grid construction as the Colonial Chair, where the elements of the chair support each other.

The double center legs give the Sofa its necessary strength.

The Sofa comes with loose cushions for seat and back in fabric or leather. They are turnable in fabric - not in leather. The seat moves freely in the frame which features a cotton webbing base.

Like the Colonial Chair the Sofa is available in walnut, cherry, oak and mahogany.

---

## ENVIRONMENTAL INFORMATION

Carl Hansen & Søn and sustainability

People's fascination of the combination of good design and wood, as well as other natural materials, is something that transcends time and fashion. At Carl Hansen & Søn, we believe that this fascination helps to explain the great interest in our furniture, and we take very seriously concerns about the sustainability of the natural resources upon which we depend for our products. That is why we strive every day to improve our production methods, logistics and sales efforts in respect of scarce natural resources.

We buy wood only from sustainably managed forests. All sourced wood meets EUTR 2013 regulations, Danish Forest Legislation and current international certifications. Oak, beech and ash come primarily from Danish forests which are managed according to the principles described in Denmark's National Forest Programme; some of these wood types are also sourced from other similarly managed European forests, or, in the case of walnut and cherry, North American forests.

We use every possible bit of these fine hardwoods in our furniture production. Inevitably, however, there are some scraps, which are then used to produce other products or recycled in district heating plants.

Japan

+81 3 5413 5421

### Carl Hansen & Son HK Limited

16th Floor, 202 Centre  
202-204 Des Vieux Road West  
Hong Kong

+852 5631 0267

ml@carlhansen.com

### AMERICA

#### Carl Hansen & Søn Corp

304 Hudson Street  
3rd Floor  
New York, NY 10013  
USA

Tel: +1 212 242 6736

northamerica@carlhansen.com

#### Carl Hansen & Søn Showroom Los Angeles

8745 Washington Boulevard  
Studio B  
Culver City, CA 90232  
Tel.: + 1 (310) 842-8656

---

## THE DESIGNER

**Ole Wanscher** (1903-1985), was born in Copenhagen in 1903 and was an architect and professor of architecture with furniture designs as his specialty. He came to shape Danish furniture, both as an active designer and as a master teacher. His furniture designs are now considered to be modern classics - sophisticated and functional with an exquisite attention to detail.

Construction and form was of the utmost importance to **Ole Wanscher**, treating furniture design as if it was a branch of architecture. He studied under Kaare Klint at the Royal Danish Academy of Fine Arts and also worked for the master himself from 1924-1927, before becoming an independent architect specializing in furniture design. He later followed in Kaare Klint's footsteps as a professor at The Royal Danish Academy of Fine Arts with a master in furniture design.

In 1958, the Danish newspaper Politiken wrote the following about the outstanding quality and spirit of **Ole Wanscher's** products: 'Owning a Wanscher-chair is an adventure every day, and will be so even several hundred years from now, for this is how long it lasts.'

**Ole Wanscher** created his best known products primarily in the period between the late forties and early sixties. He took great interest in industrially

## CONTACT INFORMATION

### EUROPE

#### Carl Hansen & Søn A/S

Hylkedamvej 77-79  
Bygning 2  
DK 5591 Gelsted  
Denmark

Tel: +45 66 12 14 04  
Fax: +45 65 91 60 04  
info@carlhansen.com

#### Carl Hansen & Søn Flagship Store

Bredgade 21  
1260 Copenhagen K  
Denmark

Phone: +45 64 47 23 60  
retail@carlhansen.dk

#### Carl Hansen & Søn Showroom Oslo

Drammensveien 130 B9  
0277 Oslo  
Norway

Contract  
+47 926 83 994  
mh@carlhansen.dk

Retail  
+47 900 77 087  
hrs@carlhansen.dk

#### Carl Hansen & Søn Showroom London

16 Bowling Green Lane  
London  
EC1R 0BD  
United Kingdom

Tel: +44 (0) 20 7632 7587  
Mail: ukinfo@carlhansen.com

#### Carl Hansen & Søn Showroom Milan

Piazza Paolo VI  
Via Delio Tessa  
20121 Milan  
Italy

+39 340 4266636  
oc@carlhansen.dk

### ASIA/PACIFIC

#### Carl Hansen & Søn Japan K.K.

2F Hills Aoyama, 3-39-9 Jingumae  
Shibuya-ku 150-0001  
Tokyo, Japan

Tel: +81 3 5413 6771  
Fax: +81 3 5413 6772  
info@carlhansen.jp

#### Carl Hansen & Søn Flagship Store Japan

Aoyama Artworks 1/2F  
2-5-10 Jingumae  
Shibuya-ku, Tokyo, 150-0001

produced high quality furniture and designed several pieces with this particular aspect in mind. It was the familiar philosophy of 'design for everyone'. However, his finest work was made in close collaboration with renowned master cabinetmakers.

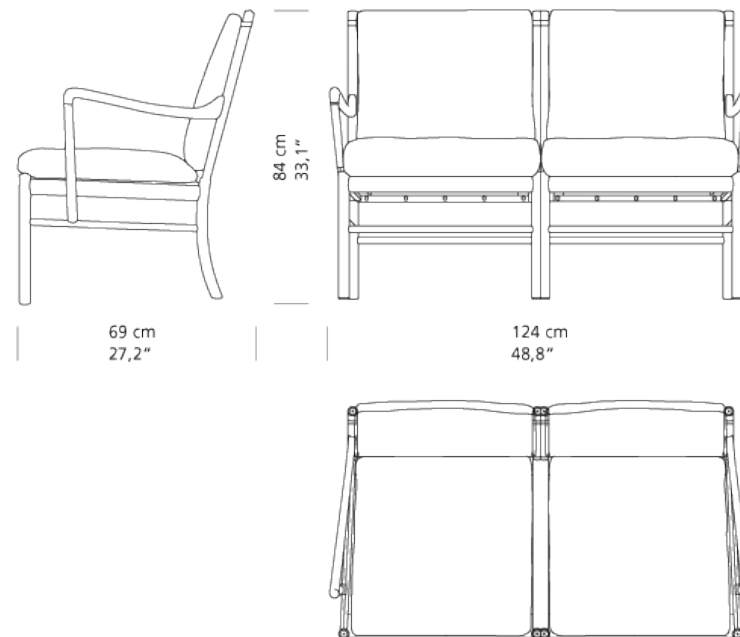
Furthermore, while traveling through Egypt and Europe, **Ole Wanscher** studied furniture design. He embraced these impressions, was inspired by them and brought to them his very own sensibility. He also authored several books, including "The History of the Arts of Furniture" and "Five Thousand Years of Furniture".

Characteristic of **Ole Wanscher's** design is a quest for slim dimensions and resilient forms. His chairs often employ both slender and slightly curved armrests, which rise in an elegant tip before continuing directly to the floor; as is the case with his well known **Colonial Chair**. Classic and yet singularly modern at the same time.

Experience Ole Wanscher's Colonial Chair

Watch the craftsmanship going into the making of the Colonial Chair

## VARIANTS CHOICES AND DIMENSIONS



## MATERIAL MATRIX

|          | White oil | Soap | Lacquer/Oil |
|----------|-----------|------|-------------|
| Oak      | ●         | ●    | ●           |
| Cherry   |           |      | ●           |
| Mahogany |           |      | ●           |
| Walnut   |           |      | ●           |

Oak and ash have a clearly visible wood structure when painted. Beech has minimal structure when painted. Oak is available only in black (NCS S9000-N).

## TESTS AND CERTIFICATIONS

All tests and certificates are available on request.