



VERSIONS



Round

- 2.2m/7'3"
- 2.7m/8'10"



Square

- 1.9m/6'3"



Arm Length

- 1.85m/6'1"
- 2.35m/7'8.5"

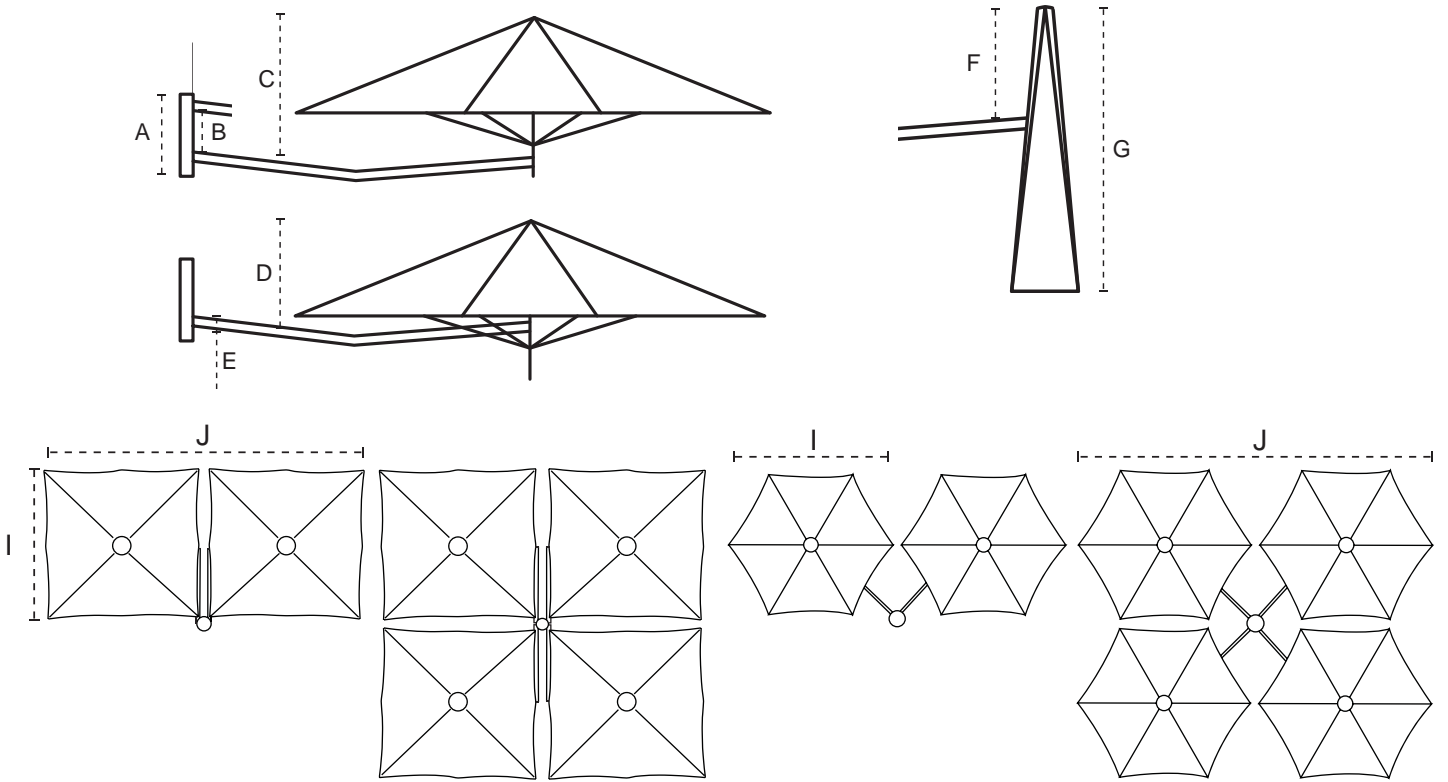
POSITIONS



COLORS

PREMIUM	Alba	Roma	Taupe	Stonegray	Mandarine	Red	Terra	Sunflower	Camel	Mint	Nero
	LIMITED	Canvas	Taupe	Granite	Orange	Paris Red	Pink	Gold	Lagoon	Olive	

DIMENSIONS



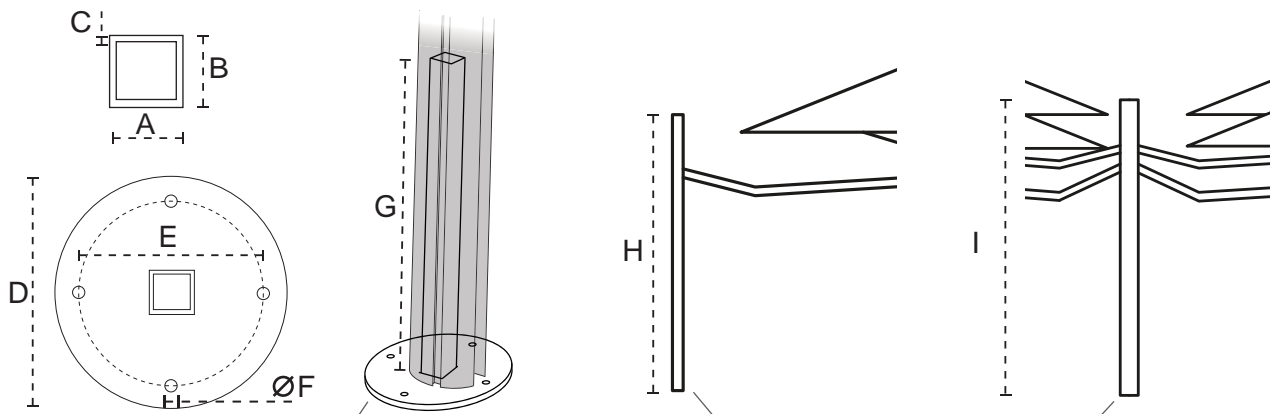
	A cm/inch	B cm/inch	C cm/ft	D cm/ft	E cm/inch	F cm/ft	G cm/ft	I cm/ft	J cm/ft
○ 2.2m/7'3"	34/13.4"	28/11"	70/2'3.5"	45/1'6"	6/2.4"	45/1'6"	110/3'7"	220/7'3"	440/14'5"
○ 2.7m/8'10"	34/13.4"	28/11"	70/2'3.5"	45/1'6"	6/2.4"	45/1'6"	145/4'9"	270/8'10"	540/17'8.5"
□ 1.9m/6'3"	34/13.4"	28/11"	70/2'3.5"	45/1'6"	6/2.4"	45/1'6"	135/4'5"	190/6'3"	400/13'1.5"

DIMENSIONS AND MATERIALS FOR SPIGOT BASES AND POLES

Spigot

Monoflex

Multiflex



Galvanised steel 8mm/0.3"

Extruded Aluminium Alloy 6060, naturally anodised

	A mm/inch	B mm/inch	C mm/inch	D mm/inch	E mm/inch	F mm/inch	G mm/inch	H cm/ft	I min cm/ft	I max cm/ft
Spigot Dimensions	40/1.6"	40/1.6"	3/0.12"	215/8.5"	170/6.7"	11/0.43"	490/19"	205/6'9"	215/7'	240/7'10"

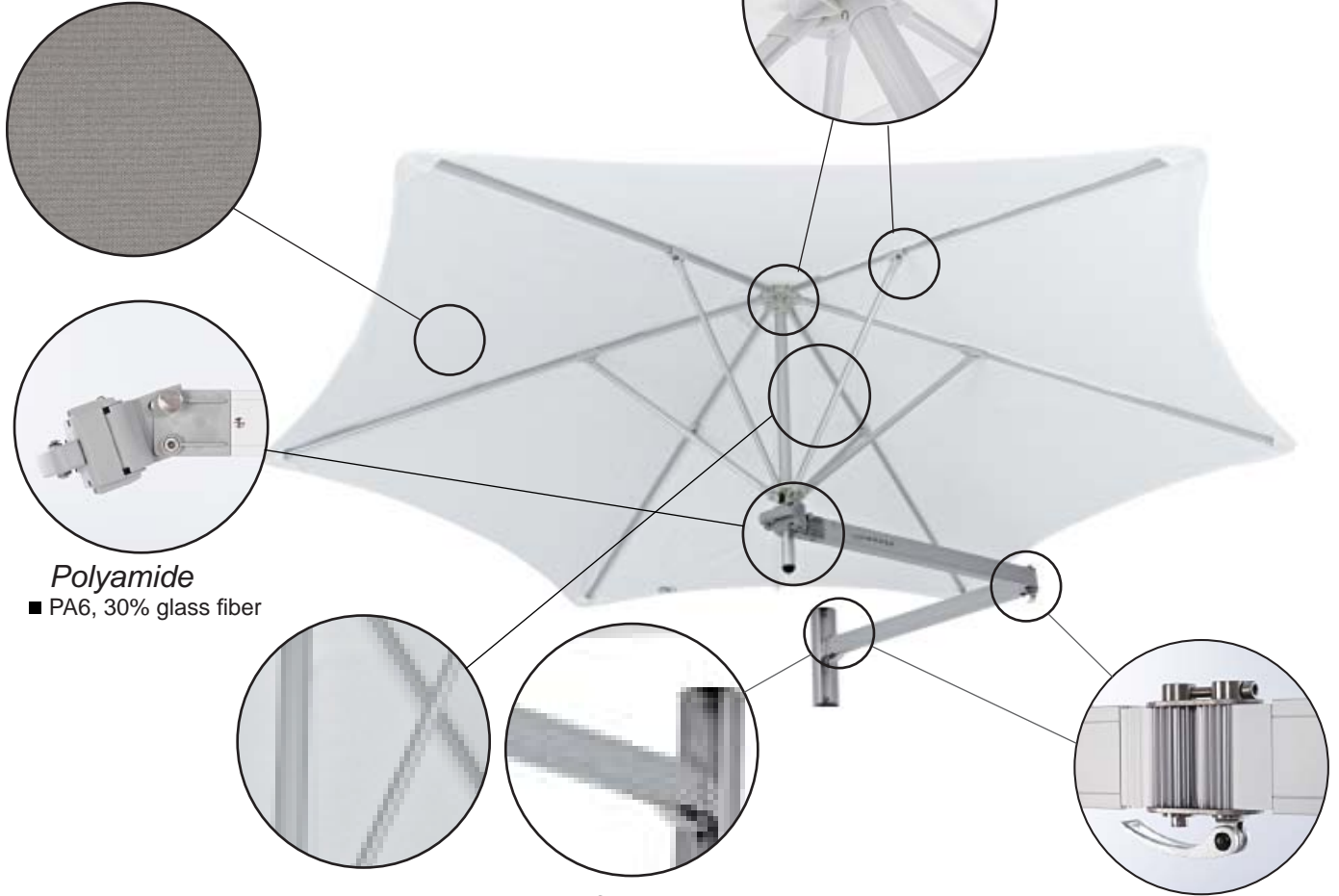
MATERIALS

Fabric

- 'Premium': Olefine 190 g/m²
- 'Limited': 100% Sunbrella Acryl 270 g/m²
- For more detailed info, see spec Fabric

Polyamide

- PA6, 30% glass fiber



Polyamide

- PA6, 30% glass fiber

Aluminium profiles and clamp

- Aluminium Alloy 6060
- Naturally anodized

Hinge of Stainless Steel

- Alloy AISI 304 ■

BASE / FIXATION OPTIONS

H _{min}	D	Weight
100 cm	10 mm	n/a
3'3"	0.4"	n/a

Wall fixation ■
Stainless steel 304 ■

L	W	H	Weight
85 cm	85 cm	12 cm	180 kg
34"	34"	5"	397 lb

Galvanised steel ■
Fill with 12 tiles 40x40x4 cm ■
or 12 tiles 16"x16"x2" ■
Anodized aluminium plate 3mm ■

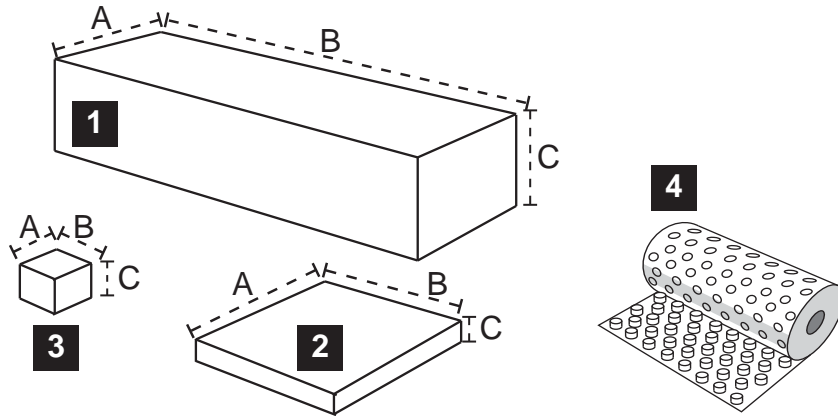
L	W	H	Weight
80 cm	80 cm	8.5 cm	120 kg
32"	32"	3.4"	265 lb

High quality surface finish ■
Demountable for easy transport ■
Easy manipulation with handle ■

L	L'	P	Weight
40 cm	90 cm	40x40x3 mm	n/a
14"		1.6"x1.6"x0.12"	n/a

Galvanised Steel ■
Pit of 60x60x40cm ■
or 2"x2"x1'4" filled with concrete ■

PACKAGING AND TRANSPORT



	qty #	Type	A cm/ft,inch	B cm/ft,inch	C cm/ft,inch	Net weight kg/lb	Brut weight kg/lb
Box for arm 1.85m/6'1"	1	1	14/5.5"	95/3'1.5"	12/4.5"	0,4/0.88	4,0/8.8
Box for arm 2.35m/7'8.5"	1	1	14/5.5"	120/3'11"	12/4.5"	0,5/1.1	4,8/10.6
Box for 2 umbrellas	1	1	30/11.8"	145/4'9"	15/5.9"	1/2.2	Depend on order
Multiflex Box	1	1	10/4"	196/6'5"	10/4"	0,67/1.5	9,0/20
Monoflex Box	1	1	11/4.3"	212/6'11.5"	10/4"	0,54/1.2	5,6/12
Solid Ground Rod	1	4	22/8.5"	22/8.5"	50/1'7.5"	n/a	4/8.8
In-Ground Fitting Package	1	4	15/5.9"	87/2'10.3"	5/2"	n/a	4/8.8
Wall Bracket Box	1	2	16/6.3"	16/6.3"	5/2"	0,04/0.09	0,63/1.4
Mobile Base Boxes	1	2	29/11.4"	85/2'9.5"	9/3.5"	0,63/1.4	6,0/13
	3	2	29/11.4"	85/2'9.5"	9/3.5"	0,63/1.4	40/88
Tile Base Box	1	2	26/10.2"	86/2'10"	8/3.1"	0,59/1.3	10/23
Alu top Box	1	2	87/2'10.3"	87/2'10.3"	14/5.5"	1,2/2.65	10/22

NICE TO KNOW

■ All umbrella's include:

Manual



Storage Bag

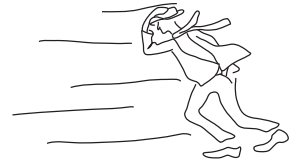
- PU coated fabric
- Can resist a water column of 500mm/1'8"
- Easy to use thanks to zipper and auxiliary tool

- All parts can be ordered separately
- Designed and made in Belgium
- 2 yrs warranty on structure, 3 yrs on decoloration of fabric
- For more info check

www.umbrosa.be
www.youtube.com/UmbrosalInnovation
www.facebook.com/Umbrosa

- As a guideline we refer to the following wind speeds
 6 beaufort, 50km/h, 31mph

Tested at **TU Delft**



CONTACT



Heirweg 198A
 8800 Roeselare
 BELGIUM

T: +32 51 30.22.60
 F: +32 51 30.22.62
 E: info@umbrosa.be

The content of this document, in particular the mentioned models, is protected by copyrights and/or design rights. The present document and its content is communicated to you for information purposes only. Any partial or total reproduction or any other use without our prior written permission is strictly prohibited. This technical sheet remains subject to possible changes. Of course we do our best to eliminate all mistakes, but Umbrosa is not responsible for the errors in the documentation of products. All measurements are approximate and are provided for informational purposes only.