

PEG CHAIR

Nendo

cappellini



A round shaped chair with back legs in solid ash wood that pierce the sides of the backrest which provides support for the back and, despite its compact size, a comfortable seat. This small armchair is inspired by 'city cars' which easily ride through the streets of Milan.

Materials used_

Structure:

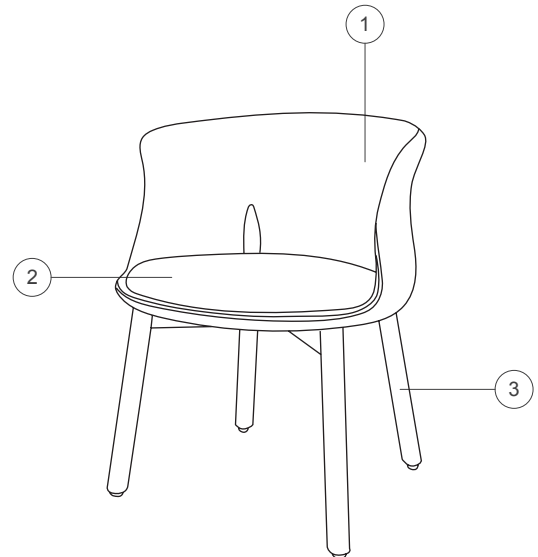
1. Shell in co-injection of still polyurethane and soft foam, cover fixed in fabric, leather G or Extra G2

Seat:

2. Polyurethane with element in medium-density wooden fiber, cover fixed in fabric, leather G or Extra G2.

Base:

3. Massive ash with self-blocking sphere casters, finishing in bleached ash, walnut stained, wenge stained, or black stained ash



Dimensions_

PEG3R



58
22 3/4"

62
24 1/2"

47/74
18 1/2" - 29 1/4"

