

# Zania 080 Table

Design Roda studio

Technical Information



Comfortable and functional, the ZANIA table and chair integrate readily in all kinds of settings. The new collection is made in iroko, a warm-coloured, durable wood with extreme resistance to wet conditions. The design features slatted surfaces and legs with rounded edges, both for the table and stackable chair.

## TECHNICAL INFORMATION

### DESCRIPTION

Table for outdoor use.

### STRUCTURE

Iroko FSC®

### WEIGHT

Structure 20 kg

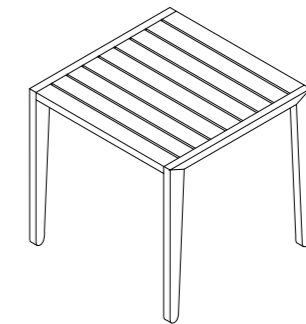
### STORAGE COVER

Available.

### DIMENSION

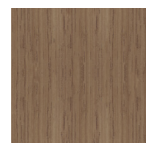
L 80 × P 80 × H 75 cm

W 31" ½ × D 31" ½ × H 29" ½



## Materials

## STRUCTURE



Iroko