

Superarchimoon Outdoor - Specification Sheet
 by Philippe Starck, 2006

Mounting

Lamp (Bulb) Description	1 x 250W T-10 Medium Frosted Halogen
Environment	Outdoor
Finish	Green Wall
Technical and Product Description	SUPERARCHIMOON outer diffuser obtained from weaves of colored PVC tubes compounds with polyester painted phospho-chromated aluminum tubular internal frame. Inner diffuser in injection-molded opal polycarbonate. "Galvanized" structural parts (base support).

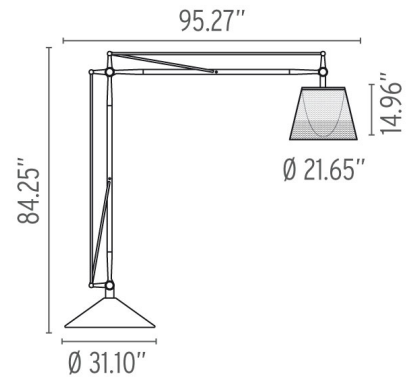
Physical

Cord Length (inches)	393
Construction Material	Aluminium, special materials for good weather resistance
Weight	356.5 lbs



● FU636741 Green Wall

Dimensional Image



Lamping (Bulb)



250W T-10 Medium Frosted Halogen

