

HOME HOTEL

JEAN-MARIE MASSAUD (2016)



DESCRIPTION

A system based on the free modular nature of all its many elements. Benches, chests of drawers, consoles, storage units with a wide range of functions which, taken individually, perfectly adapt to residential projects and, as a system, they are ideal for hospitality projects. The benches stand out for the slimline distinguishing elements of the top, covered in fabric, leather or stringed leather.

Poliform

HOME HOTEL

JEAN-MARIE MASSAUD (2016)



TECHNICAL DESCRIPTION

TPOLOGY

coffe table, console and bench

LEGS

in solid wood

TOP

in wooden particles panel veneered

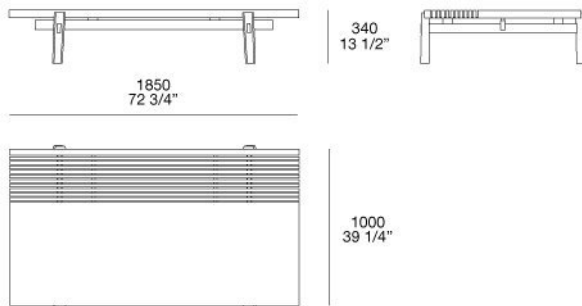
LATHS

in solid wood veneered

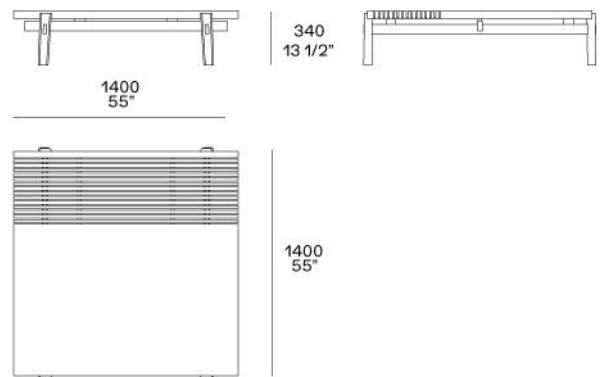
HOME HOTEL

JEAN-MARIE MASSAUD (2016)

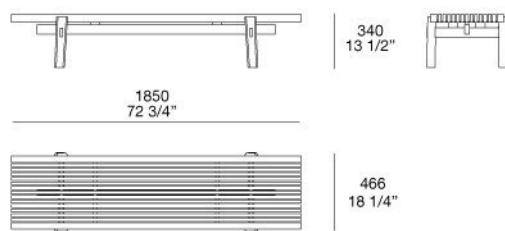
HHTA185



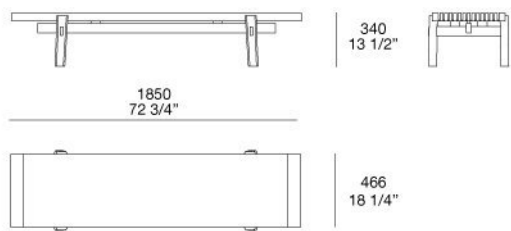
HHTA140



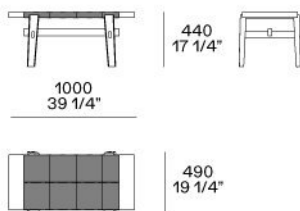
PL185



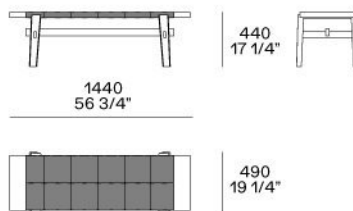
PN185



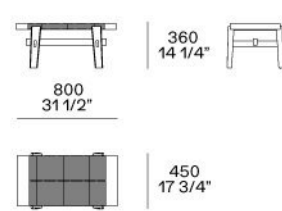
PN100



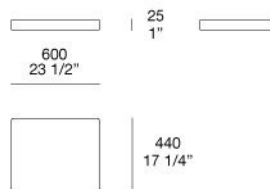
PN144



PP080



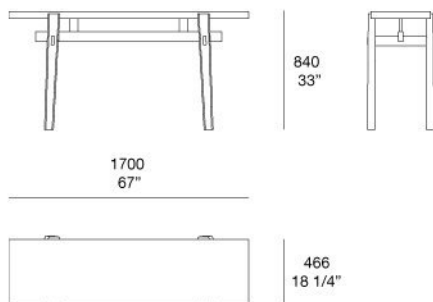
CU060



HOME HOTEL

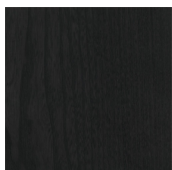
JEAN-MARIE MASSAUD (2016)

CL170



HOME HOTEL

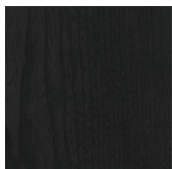
FINISHINGS\TOP AND LATHS \WOODS (1)



BLACK ELM

HOME HOTEL

FINISHINGS\STRUCTURE\WOODS (1)



BLACK ELM