
Raj 4 / Raj 4 Light

Ricardo Bello Dias
2008



Raj 4 / Raj 4 Light

Ricardo Bello Dias , 2008

Raj 4:

Tavolo mono base con giunto centrale in alluminio cromato a 4 vie e piano in cristallo 15 mm, trasparente o trasparente extralight. Struttura in acciaio inox lucido con pannellatura in lastra d'acciaio lucido.

Raj 4 Light:

Tavolo mono base con giunto centrale in alluminio cromato a 4 vie e piano in cristallo 15 mm, trasparente o trasparente extralight. Struttura in acciaio inox lucido.

Raj 4:

Table with one base with "4 ways" chromed aluminium.

Central part and 15 mm transparent glass top or transparent extralight.

Bright stainless steel base with bright steel insert.

Raj 4 Light:

Table with one base with "4 ways" chromed aluminium.

Central part and 15 mm transparent glass top or transparent extralight.

Bright stainless steel base.

Dimensioni / Sizes

Cm:

140 x 140 x 74h

150 x 150 x 74h

160 x 160 x 74h

Ø 140 x 74h

Ø 150 x 74h

Ø 160 x 74h

180 x 130 x 74h

210 x 130 x 74h

Inches:

Ø 55¼" x 29¼"h

Ø 59¼" x 29¼"h

Ø 63" x 29¼"h

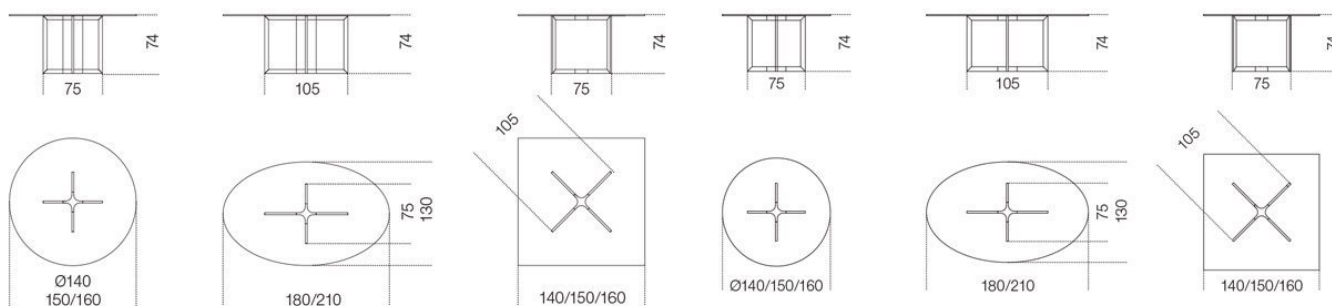
55¼" x 55¼" x 29¼"h

59¼" x 59¼" x 29¼"h

63" x 63" x 29¼"h

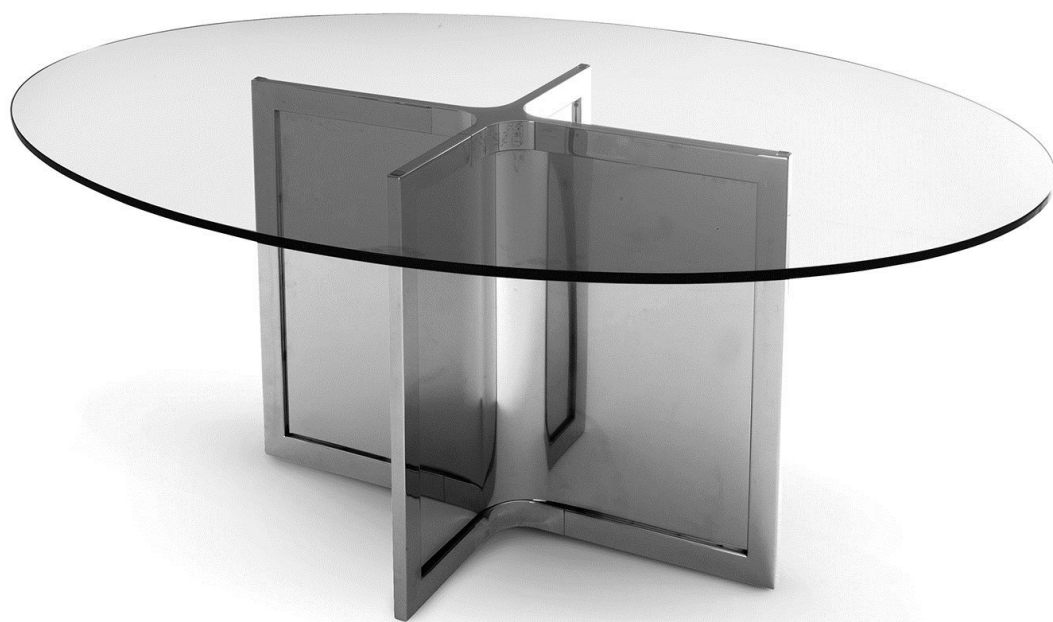
71" x 51¼" x 29¼"h

82¾" x 51¼" x 29¼"h

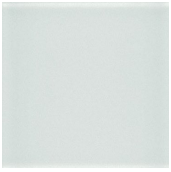


Raj 4/Raj 4 Light





Cristallo / Glass



Trasparente
Transparent
